



**Manual**

**EN**

**Handleiding**

**NL**

**Manuel**

**FR**

**Anleitung**

**DE**

**Manual**

**SE**

**Smart BMS CL 12/100**



# 1. General Description

## **A Smart BMS with Charge Current Limiter that protects the alternator against overload**

The Smart BMS CL is intended for use with Victron Smart LiFePo4 batteries with M8 circular connectors. It supports up to 5 batteries in parallel (BTVs are simply daisy-chained).

### **Starter battery Protection**

This function is similar to that of a Cyrix Battery Combiner or Argo FET Battery Isolator. Current can flow to the LFP battery only if the input voltage (= voltage on the starter battery) exceeds 13V.

Additionally, current cannot flow back from the LFP battery to the starter battery, thus preventing eventual damage to the LFP battery due to excessive discharge.

### **Alternator and battery protection**

The input current is electronically limited to approximately 80% of the fuse rating. A 100A fuse, for example, will therefore limit the input current to approximately 80A. (For fuse ratings and corresponding current limit please see table 1)

Choosing the right fuse will:

- Protect the LFP battery against excessive charge current (important in case of a low capacity LFP battery).
- Protect the alternator against overload in case of a high capacity LFP battery bank (most 12V alternators will overheat and fail if running at maximum output during more than 5 minutes).

### **Li-ion battery protection**

Excessive input voltage and transients are regulated down to a safe level.

The BMS will stop charging in case of cell over voltage or over temperature.

It has three outputs, similar to the miniBMS:

#### Load Disconnect output

The Load output is normally high and becomes free floating in case of imminent cell under voltage (default 2,8V/cell, adjustable on the battery between 2,6V and 2,8V per cell). Maximum current: 10mA. The Load output can be used to control the remote on/off input of a Battery Protect, inverter, DC-DC converter or other loads.

#### Pre-Alarm output

The pre-alarm output can be used as warning when the battery voltage is low and it will trip shortly before the Load Disconnect output is disabled due to cell under voltage.

The pre-alarm output may be used to drive a relay, LED or Buzzer. It can be configured as continuous or intermittent signal.

The pre-alarm output is normally free floating and becomes high in case of imminent cell under voltage (default 3,1V/cell, adjustable on the battery between 2,85V and 3,15V per cell). Maximum current: 1A (not short circuit protected)

The minimum delay between pre-alarm and load disconnect is 30 seconds.

#### Charge disconnect output

The Charger output is normally high and becomes free floating in case of imminent cell over voltage or over temperature. Maximum current: 10mA. The Charger output is not suitable to power an inductive load such as a relay coil. The Charger output can be used to control: The remote on/off of a charger, a Cyrix-Li-Charge relay, a Cyrix-Li-ct Battery Combiner.

(Note: in some cases an interface cable will be needed, please see the manual.)

A non-inverting or inverting on/off cable may be required, please consult the appendix

#### **Remote on/off input**

The remote on/off input controls the charging via the alternator, while the BMS functionality will remain active regardless of the remote on/off state.

The remote on/off can also be used as system on/off switch. Can be configured via the VictronConnect.

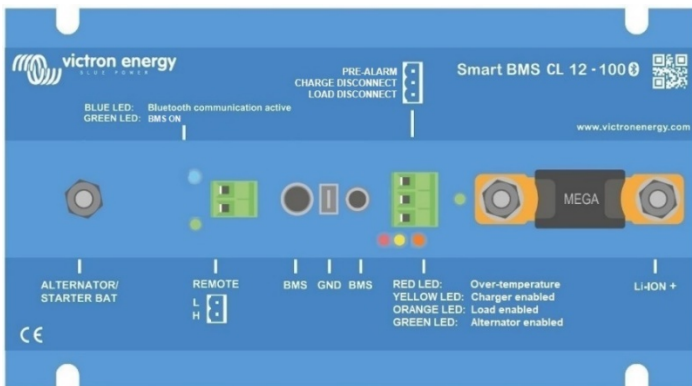
The System on/off consists of two terminals: Remote L and Remote H.

A remote on/off switch or relay contact can be connected between L and H.

Alternatively, terminal H can be switched to battery plus, or terminal L can be switched to battery minus.

#### **LED indicators (from left to right)**

- Green: Smart BMS CL 12V/100A is active
- Blue: blinking – Bluetooth broadcasting, ON – connection established
- Red: Over-Temperature protection of the Current limiting 12V Smart BMS
- Yellow: Charge disconnect output is enabled
- Orange: Load disconnect output is enabled
- Green: Alternator Charging



## 2. Safety instructions

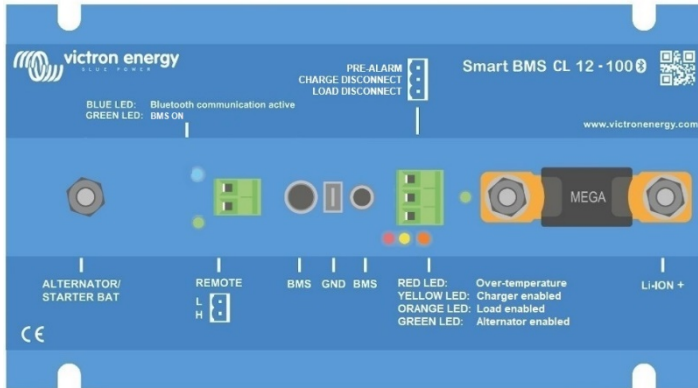
Installation must strictly follow the national safety regulations in compliance with the enclosure, installation, creepage, clearance, casualty, markings and segregation requirements of the end-use application. Installation must be performed by qualified and trained installers only. Switch off the system and check for hazardous voltages before altering any connection.

1. Do not open the Lithium Ion Battery.
2. Do not discharge a new Lithium Ion Battery before it has been fully charged first.
3. Charge only within the specified limits.
4. Do not mount the Lithium Ion Battery upside down.
5. Check if the Li-Ion battery has been damaged during transport.

## 3. Installation instructions

1. Mount the BMS preferably on a vertical surface, for optimal cooling.
2. Determine the rating of fuse (see figure and table 1). The fuse doubles as a shunt, thus the BMS CL will limit the input current according to the rating of this fuse. For fuse and corresponding current limit please see table 1. Choosing the right fuse will prevent overheating of the alternator and/or DC cabling.
3. Disconnect the cabling from the minus pole of the starter battery.
4. Pull off the REMOTE on/off connector to prevent unwanted switching of the BMS.
5. Install and connect the fuse and all electrical cabling, leave the minus poles of the Li-ion batteries and starter battery disconnected. **Make sure that the M8 nuts of the fuse are properly tightened.**
6. Daisy-chain the battery control cables between the Li-ion batteries and connect to the BMS.
7. Connect the GND cabling to the minus of Li-ion batteries and the starter battery.
8. Reinsert the REMOTE on/off connector on the BMS.

The BMS is now ready for use.



**Table 1: charge current per fuse rating**

Fuse ratings	Max charge current
125A	100A
100A	90A
80A	60A
60A	50A
2 x 30A	40A
2 x 20A	25A
2 x 15A	20A
2 x 10A	12A
2 x 7.5A	9A



If the required charge current (input AB) is less than 40 A, please use this ATO fuse holder

## 4. Things to consider

### 4.1 Important warning

Li-ion batteries are expensive and can be damaged due to over discharge or over charge.

Damage due to over discharge can occur if small loads (such as: alarm systems, relays, standby current of certain loads, back current drain of battery chargers or charge regulators) slowly discharge the battery when the system is not in use.

In case of any doubt about possible residual current draw, isolate the battery by opening the battery switch, pulling the battery fuse(s) or disconnecting the battery plus when the system is not in use.

**A residual discharge current is especially dangerous if the system has been discharged completely and a low cell voltage shutdown has occurred. After shutdown due to low cell voltage, a capacity reserve of approximately 1Ah per 100Ah battery capacity is left in the battery. The battery will be damaged if the remaining capacity reserve is drawn from the battery. A residual current of 10mA for example may damage a 200Ah battery if the system is left in discharged state during more than 8 days.**

### 4.2 DC loads with remote on/off terminals

DC loads must be switched off or disconnected in case of imminent cell under voltage.

The Load Disconnect output of the Smart BMS CL 12-100 can be used for this purpose.

The Load Disconnect is normally high (equal to battery voltage) and becomes free floating (= open circuit) in case of imminent cell under voltage

DC loads with a remote on-off terminal that switches the load on when the terminal is pulled high (to battery plus) and switches it off when the terminal is left free floating can be controlled directly with the Load Disconnect output. See appendix for a list of Victron products with this behavior.

For DC loads with a remote on/off terminal that switches the load on when the terminal is pulled low (to battery minus) and switches it off when the terminal is left free floating, the **Inverting remote on-off cable** can be used. See appendix.

**Note: please check the residual current of the load when in off state. After low cell voltage shutdown a capacity reserve of approximately 1Ah per 100Ah battery capacity is left in the battery. A residual current of 10mA for example may damage a 200Ah battery if the system is left in discharged state during more than 8 days.**

### 4.3 DC load: disconnecting the load with a BatteryProtect

A Battery Protect will disconnect the load when:

- input voltage (= battery voltage) has decreased below a preset value, or when
- the remote on/off terminal is pulled low.

The Smart BMS CL 12-100 can be used to control the remote on/off terminal of a BatteryProtect.

Contrary to a Cyrix or contactor, a BatteryProtect can start a load with a large input capacitor such as an inverter or a DC-DC converter.

### 4.4 Charging the LiFePO<sub>4</sub> battery with an additional battery charger

Battery charging must be reduced or stopped in case of imminent cell over voltage or over temperature.

The Charge Disconnect output of the Smart BMS CL 12-100 can be used for this purpose.

The Charge Disconnect is normally high (equal to battery voltage) and switches to open circuit state in case of imminent cell over voltage.

Battery chargers with a remote on-off terminal that activates the charger when the terminal is pulled high (to battery plus) and deactivates when the terminal is left free floating can be controlled directly with the Charge Disconnect output.

See appendix for a list of Victron products with this behavior.

Battery chargers with a remote terminal that activates the charger when the terminal is pulled low (to battery minus) and deactivates when the terminal is left free floating, the **Inverting remote on-off cable** can be used. See appendix.

Alternatively, a **Cyrix-Li-Charge** can be used:

The Cyrix-Li-Charge is a unidirectional combiner that inserts in between a battery charger and the LiFePO<sub>4</sub> battery. It will engage only when charge voltage from a battery charger is present on its charge-side terminal. A control terminal connects to the Charge Disconnect of the Current limiting 12V Smart BMS.

### 4.5 Battery

In case of several batteries in parallel and/or series configuration, the two M8 circular connector cord sets of each battery should be connected in series (daisy chained). Connect the two remaining cords to the BMS.



## 5. System examples

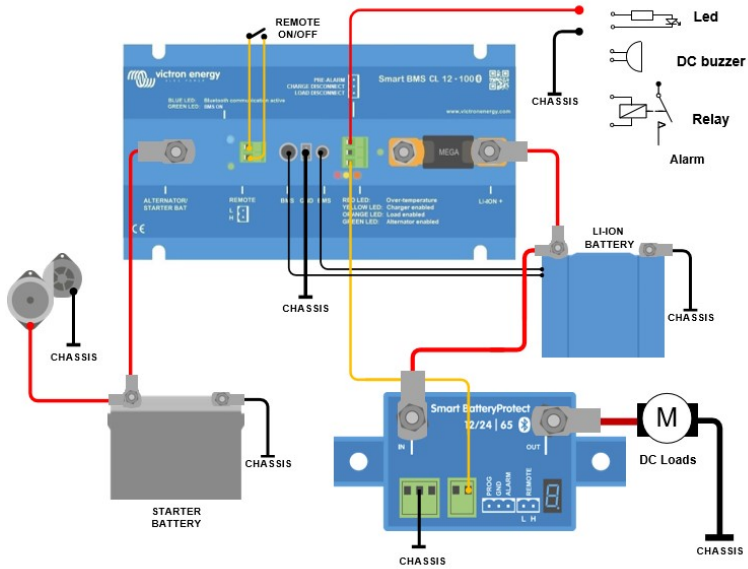


Figure 1: Application example for a vehicle or boat, with on/off switch between H and L

EN

NL

FR

DE

SE

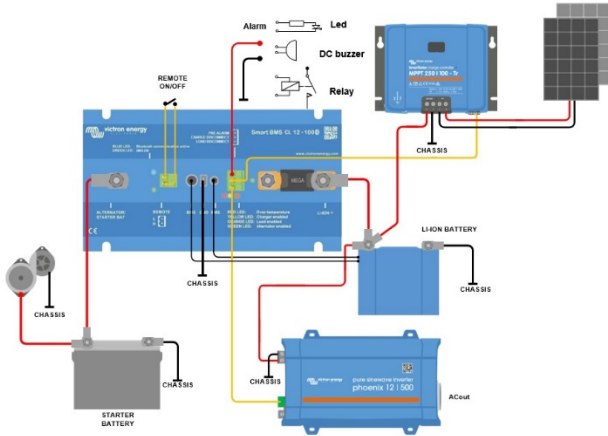


Figure 2: Application example with a MPPT and a Phoenix inverter

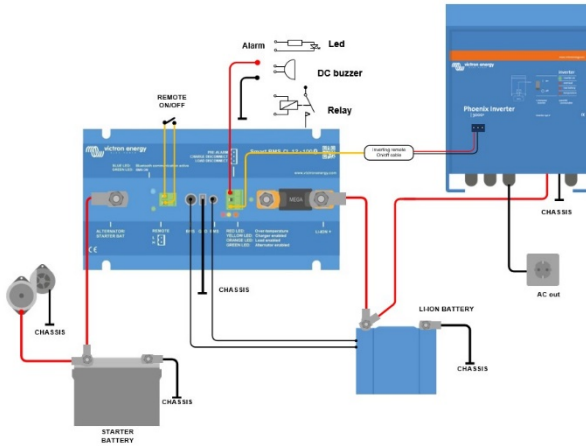


Figure 3: Application example with a Phoenix VE.Bus Inverter rated at 3kVA and more

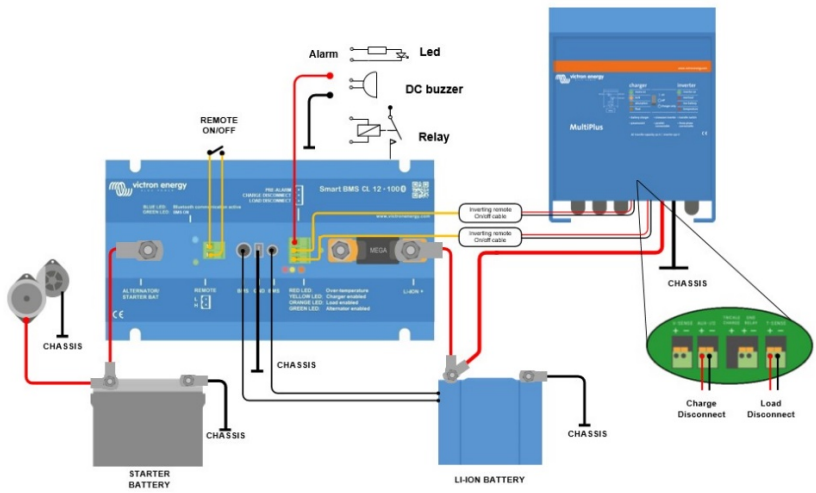


Figure 4: Application example with a 3kVA Multi of a recent type that has auxiliary inputs

## 6. Specifications

<b>Smart BMS CL 12-200</b>	
Maximum continuous charge current	100A (with 125A fuse)
Input voltage to start charging	> 13V
Current consumption, remote on	16 mA (excluding Load output and Charge output current)
Current consumption, remote off	5 mA (BMS functionality still active)
Load disconnect output	Normally high (Vbat – 0.1V) Source current limit: 10mA (short circuit protected) Sink current: 0A (output free floating)
Charge disconnect output	Normally high (Vbat – 0.1V) Source current limit: 10mA (short circuit protected) Sink current: 0A (output free floating)
Pe-alarm output	Normally free floating High (Vbat) in case of alarm, max. 1A (not short circuit proof)
System on/off: Remote L and Remote H	Use modes of the system on/off: a. ON when the L and H terminal are interconnected b. ON when the L terminal is pulled to battery minus (V< 5V) c. ON when the H terminal is high (V>3V) d. OFF in all other conditions
<b>GENERAL</b>	
Operating temperature range	-40°C to +60°C
Humidity, maximum / average	100% / 95%
Protection, electronics	IP65
DC power connection	M8
DC connector battery minus	Faston female, 6.3mm
<b>ENCLOSURE</b>	
Weight	1,6kg
Dimensions (hwxwd)	65 x 120 x 224 mm
<b>STANDARDS</b>	
Emission	EN 61000-6-3, EN 55014-1
Immunity	EN 61000-6-2, EN 61000-6-1, EN 55014-2
Automotive Directive	ECE R10-5

## Appendix:

### 1. Loads which can be controlled directly by the Load Disconnect output of the BMS

#### Inverters:

All Phoenix inverters VE.Direct and Phoenix Inverters Smart:  
Connect the LOAD DISCONNECT to the **left**-hand terminal (H) of the 2-pole connector

#### DC-DC converters:

All Tr type DC-DC converters with remote on/off connector, and Orion 12/24-20  
Connect the LOAD DISCONNECT the **right**-hand terminal of the 2-pole connector

#### Battery Protect and Smart Battery Protect

Connect the LOAD DISCONNECT to terminal 2.1 (right hand terminal) for the Battery Protect and H pin for the Smart Battery Protect of the 2-pole connector

#### Cyrix -Li-Load

Connect the LOAD DISCONNECT to the control input

### 2. Loads for which an inverting remote on-off cable is needed (article number ASS030550100 or -120)

All Phoenix VE.Bus inverters and VE.Bus Inverter Compact rated at 1200VA or more.

### 3. Solar charge controllers which can be controlled directly by the Charge Disconnect output

#### BlueSolar MPPT 150/70 and 150/80 CAN-bus

Connect the CHARGE DISCONNECT to the **left**-hand terminal of the 2-pole connector (B+)

#### SmartSolar MPPT 150/45 and higher, 250/60 and higher

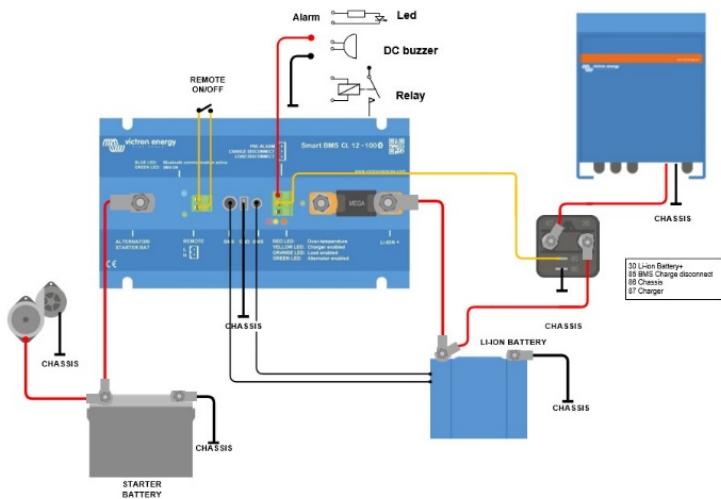
Connect the CHARGE DISCONNECT to the **right**-hand terminal (marked +) or the **left**-hand terminal (marked H) of the 2-pole connector

### 4. Solar charge controllers for which a VE.Direct non inverting remote on-off cable is needed

(article number ASS030550320)

All BlueSolar MPPT models, except the BlueSolar MPPT 150/70 and 150/80 CAN-bus

SmartSolar MPPT up to 150/35



## 5. Battery Chargers

(note: no on-off cable needed when connecting the charger to the primary side of the BMS)

### Phoenix Smart IP43 Chargers

Connect the CHARGE DISCONNECT to the left-hand terminal (H) of the 2-pole connector

### Skylla TG battery chargers

Use a non inverting remote on-off cable.  
(article number ASS030550200)

### Skylla-i battery chargers

Use a Skylla-i remote on-off cable  
(article number ASS030550400)

### Other battery chargers:

Use a Cyrix-Li-Charge or connect the charger to the primary side of the BMS.

## 6. MultiPlus-II

The MultiPlus-II models can be controlled from the Load Disconnect and Charge Disconnect outputs by using the BMS CL 12-200 to MultiPlus cable (article number ASS070200100) This cable must be wired to the remote on/off connector of the MultiPlus-II (connect the black wire to the lower (-) terminal and the red wire to the upper (+) remote on-off terminal). Both the Load Disconnect and Charge Disconnect outputs of the BMS must be in 'High' state in order for the MultiPlus-II to operate. After shutdown due to low battery voltage, run the alternator or use a battery charger on the primary side of the BMS to reset the system. The MultiPlus-II will then switch on and start charging (if connected to an AC power source).

EN

NL

FR

DE

SE



## 7. MultiPlus

### MultiPlus 3kVA or more

For more info on how to configure the MultiPlus to work with the Smart BMS CL 12-100 please refer to the document on our website:

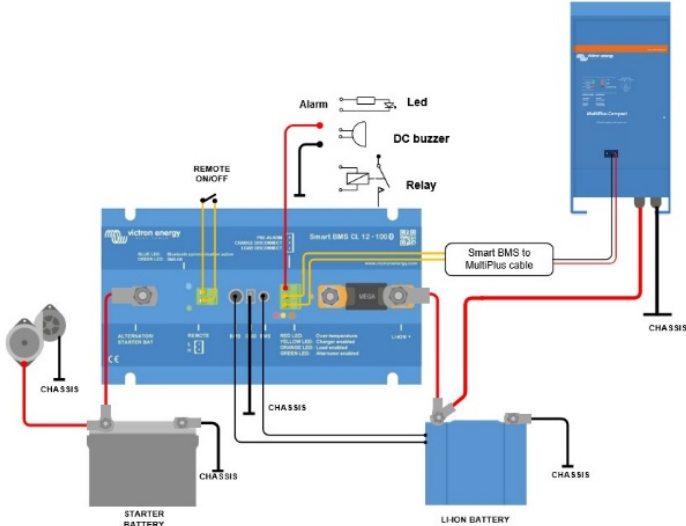
<https://www.victronenergy.com/upload/documents/Manual-Connecting-other-lithium-battery-systems-to-Multis-and-Quattros-EN.pdf>

The Load Disconnect and Charge Disconnect Outputs will be wired to the MultiPlus with two inverting remote on-off cables (article number ASS030550100) as shown in figure 4 above.

### MultiPlus 500VA – 1600VA & MultiPlus Compact 800VA – 2kVA

These MultiPlus models can be controlled from the Load Disconnect and Charge Disconnect outputs by using the BMS CL 12-200 to MultiPlus cable (article number ASS070200100). This cable must be wired to the remote on/off connector of the MultiPlus (connect the black wire to the ON terminal and the red wire to the (+) terminal).

Both the Load Disconnect and Charge Disconnect outputs of the BMS must be in 'High' state in order for the MultiPlus to operate. After shutdown due to low battery voltage, run the alternator or use a battery charger on the primary side of the BMS to reset the system. The MultiPlus will then switch on and start charging (if connected to an AC power source).





# 1. Algemene Beschrijving

## **Een Smart BMS met oplaadstroombeperker die de alternator beschermt tegen overbelasting**

De Smart BMS CL is bedoeld voor gebruik met Victron Smart LiFePo4 batterijen met M8 circulaire connectoren. Het ondersteunt tot 5 accu's in parallel (BTVs zijn eenvoudigweg in een keten).

### **Bescherming Startmotoraccu**

Deze functie is gelijkaardig aan die van een Cyrix Accu-combiner of Argo FET Batterij-scheidingsschakelaar. Stroom kan enkel naar de LFP-accu stromen wanneer het invoervoltage (= voltage op de startmotorbatterij) 13V overschrijdt.

Bovendien kan stroom niet terugstromen van de LFP-accu naar de startmotoraccu, alzo mogelijke schade aan de LFP-accu vanwege overdadig ontladen belettend.

### **Alternator en accubescherming**

De invoerstroom is elektronisch beperkt tot ongeveer 80% van het zekeringsgehalte. Een 100 A zekering bijvoorbeeld zal daarom de invoerstroom beperken tot ongeveer 80 A. (Voor zekeringsgehalten en overeenstemmende stroombeperking, zie tabel 1)

Het kiezen van de juiste zekering zal:

- a. De LFP-batterij beschermen tegen overdadige laadstroom (belangrijk bij lage capaciteit LFP-accu).
- b. De alternator beschermen tegen overbelasting bij een hoge capaciteit LFP-accubank (de meeste 12V-alternatoren zullen oververhitten en defect gaan wanneer ze gedurende meer dan 5 minuten draaien aan maximale uitgangsspanning).

### **Bescherming Li-ion accu**

Overdadige invoerstroom en stroomstoten worden neerwaarts geregeld tot op een veilig niveau.

De BMS zal stoppen met opladen bij celoverspanning of overtemperatuur.

Het heeft drie uitgangsspanningen, vergelijkbaar met de miniBMS:

#### Laadontkoppeling uitgangsspanning

De Laaduitgangsspanning is normaal hoog en wordt vlottend bij imminente celonderspanning (standaard 2,8 V/cel, aanpasbaar op de accu tussen 2,6 V en 2,8 V per cel). Maximumstroom: 10 mA. De Laaduitgangsspanning kan gebruikt worden om de afstandsbediening aan/uit ingangsspanning van een Accubeschermer, omvormer, DC-DC converter of andere ladingen te regelen.

#### Pre-Alarm uitgangsspanning

De pre-alarm uitgangsspanning kan gebruikt worden als waarschuwing wanneer de batterijspanning laag is en het kort voordat Laadontkoppeling uitgangsspanning uitgeschakeld is door celonderspanning zal doorslaan. De pre-alarm uitgangsspanning kan gebruikt worden om een relais, led of Buzzer aan te drijven. Het kan geconfigureerd worden als voortdurend of periodiek signaal.

De pre-alarm uitgangsspanning is normaal vrij vlottend en wordt hoog bij imminente celoverspanning (standaard 3,1 V/cel, aanpasbaar op de accu tussen 2,85 V en 3,15 V per cel). Maximumstroom: 1 A (niet beveiligd tegen kortsluiting)

De minimale vertraging tussen pre-alarm en laadontkoppeling bedraagt 30 seconden.

#### Oplaadontkoppeling uitgangsspanning

De Oplader uitgangsspanning is normaal hoog en wordt vlottend bij imminente celoverspanning of overtemperatuur. Maximumstroom: 10 mA. De uitgang van de acculader is niet geschikt om een inductieve belasting te voeden, zoals een relaisspoel. De uitgang van de lader kan worden gebruikt om het volgende te controleren: De op afstand bediende aan/uit van een acculader, een Cyrix-Li-Charge relais, een Cyrix-Li-ct Accu-combiner.

(Opmerking: in bepaalde gevallen zal een interfacekabel nodig zijn, lees de handleiding).

Een niet-omvormende of omvormende aan/uit kabel kan vereist zijn, raadpleeg de bijlage.

#### **Op afstand bediende aan/uit invoerspanning**

De op afstand bediende aan/uit invoerspanning regelt het laden via de alternator terwijl de BMS-functionaliteit actief zal blijven, ongeacht de op afstand bediende aan/uit status.

De op afstand bediende aan/uit kan ook gebruikt worden als een systeem aan/uit-schakelaar. Kan geconfigureerd worden via de VictronConnect. Het systeem aan/uit bestaat uit twee klemmen: Afstandsbediening L en Afstandsbediening H.

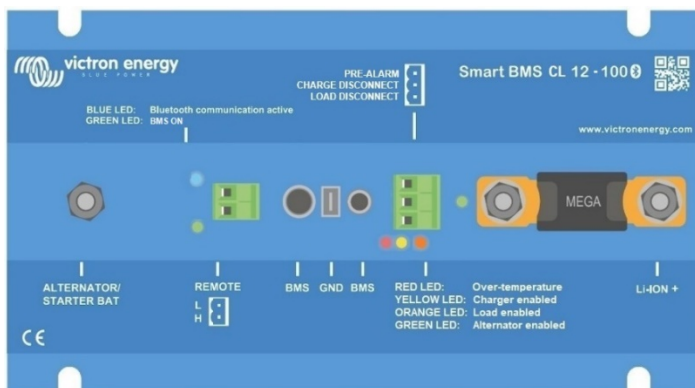
Een externe aan-/uitschakelaar of relaiscontact kan worden verbonden tussen L en H.

Als alternatief kan klem H worden geschakeld naar batterijplus of kan klem L worden omgeschakeld naar accu minus

#### **Led-indicatoren (van links naar rechts)**

- Groen: Smart BMS CL 12V/100A is actief
- Blauw: knipperend – Bluetooth uitzendend, AAN – verbinding gemaakt
- Rood: Bescherming overtemperatuur van de stroom beperkende 12 V Smart BMS
- Geel: Oplaadontkoppeling uitgangsspanning is ingeschakeld
- Oranje: Laadontkoppeling uitgangsspanning is ingeschakeld
- Groen: Alternator aan het Opladen





EN

NL

FR

DE

SE

## 2. Veiligheidsinstructies

De installatie moet strikt voldoen aan de nationale veiligheidsvoorschriften in overeenstemming met de vereisten voor behuizing, systeem, kruipwegen, slagwijdten, verlies, markeringen en segregatie van de eindgebruiker toepassing. De installatie mag uitsluitend door gekwalificeerde en opgeleide installateurs worden uitgevoerd. Het systeem uitschakelen en controleren op gevaarlijke spanningen vóór u een willekeurige verbinding wijzigt.

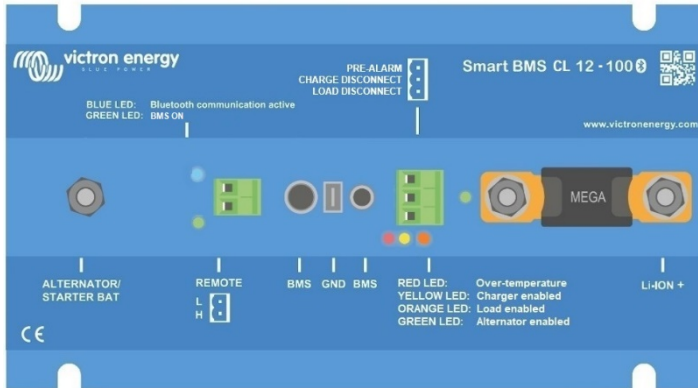
6. Open de lithium-ion-accu niet.
7. Ontlaad geen nieuwe lithium-ion- accu vóór deze volledig is opgeladen.
8. Laad slechts binnen de opgegeven limieten.
9. Monteer de lithium-ion- accu niet ondersteboven.
10. Controleer of de Li-ion- accu tijdens het transport is beschadigd.

## 3. Installatie-instructies

9. Monteer de BMS bij voorkeur op een verticaal oppervlak, voor optimale koeling.
10. Bepaal het zekeringsgehalte (zie afbeelding en tabel 1) De zekering verdubbelt als een shunt, bijgevolg zal de BMS CL de invoerstroom beperken in overeenstemming met het gehalte van deze zekering. Voor zekering en overeenstemmende stroombeperking, zie tabel 1. Het kiezen van de juiste zekering zal oververhitting van de alternator en/of DC-bekabeling beletten.
11. Ontkoppel de bekabeling van de minpool van de startmotoraccu.
12. Verwijder de OP AFSTAND BEDIENDE aan/uit connector om ongewenst schakelen van de BMS te beletten.

13. Installeer en verbind de zekering en alle elektrische bekabeling, laat de minpolen van de Li-ion accu en startmotorbatterij ontkoppeld. **Zorg ervoor dat de M8-moeren van de zekering goed vastgedraaid zijn.**
14. Maak een keten van de batterijregelkabels tussen de Li-ion accu en verbind met de BMS.
15. Verbind de GND-bekabeling met de min van Li-ion accu en de startmotoraccu.
16. Voer de OP AFSTAND BEDIENDE aan/uit connector opnieuw in op de BMS.

De BMS is nu klaar voor gebruik.



EN

NL

FR

DE

SE

**Tabel 2: Oplaadstroom per zekeringsgehalte**

Zekeringsgehaltes	Max. oplaadstroom
125A	100A
100A	90A
80A	60A
60A	50A
2 x 30A	40A
2 x 20A	25A
2 x 15A	20A
2 x 10A	12A
2 x 7,5A	9A



If the required charge current (input AB) is less than 40 A, please use this ATO fuse holder

## 4. Zaken om te overwegen

### 4.1 Belangrijke waarschuwing

Li-ion accu's zijn duur en kunnen worden beschadigd als gevolg van diepontlading of overladen.

Schade als gevolg van te hoge ontlading kan optreden als kleine ladingen (zoals: alarmsystemen, relais, reservestroom van bepaalde belastingen, terugstroom van acculaders of laadregelaars) de accu langzaam ontladen wanneer het systeem niet in gebruik is.

In geval van twijfel over mogelijke reststroom afgifte isoleert u de batterij door de batterijschakelaar te openen, de accu zekering(en) te trekken of de batterij los te koppelen plus wanneer het systeem niet in gebruik is.

**Een residu ontlaadstroom is met name gevaarlijk als het systeem volledig is ontladen en de batterij bijna leeg is. Na het uitschakelen vanwege lage celspanning blijft er een capaciteitsreserve van ongeveer 1Ah per 100Ah batterijcapaciteit resterend in de accu. De batterij wordt beschadigd als de resterende capaciteitsreserve uit de batterij wordt getrokken. Een reststroom van 10 mA kan bijvoorbeeld een 200Ah-accu beschadigen indien het systeem langer dan 8 dagen in ontladen toestand blijft.**

### 4.2 DC-belastingen met externe aan-/uit terminals

DC-belastingen moeten worden uitgeschakeld of losgekoppeld in geval van dreigende cel-onderspanning.

De Laadontkoppeling uitgangsspanning van de Smart BMS CL 12-100 kan hiervoor gebruikt worden.

De Laadontkoppeling is normaal hoog (gelijk aan batterijspanning) en wordt vrij (= open circuit) bij imminente celonderspanning.

DC belastingen met een externe aan-uit terminal die de belasting inschakelt wanneer de terminal hoog wordt getrokken (de accu plus) en schakelt deze uit wanneer de terminal wordt vrijgelaten zwevende kan direct worden geregeld met de Laden Ontkoppeling uitgang.

Zie bijlage voor een lijst van Victron producten met dit gedrag.

Voor DC-belastingen met een externe aan/uit-terminal die de belasting inschakelt wanneer de terminal wordt leeggetrokken (naar een accu minus) en wordt uitgeschakeld wanneer de terminal vrij zweeft, kan de **aan/uit-kabel omvormer afstandsbediening** worden gebruikt. Zie de bijlage.

**Opmerking: controleer de reststroom van de belasting in de uitgeschakelde-stand. Na uitschakelen van de lage celspanning blijft er een capaciteitsreserve van ongeveer 1Ah per 100Ah accucapaciteit over in de accu. Een reststroom van 10 mA kan bijvoorbeeld een 200Ah-accu beschadigen indien het systeem langer dan 8 dagen in ontladen toestand blijft.**

### 4.3 DC-belasting: ontkoppelen van de belasting met een BatteryProtect

Een Battery Protect ontkoppelt de belasting wanneer:

- invoerspanning (= batterijspanning) is gedaald tot onder een vooraf ingestelde waarde of wanneer
- de externe aan/uit-terminal wordt leeggetrokken.

De Smart BMS CL 12-100 kan gebruikt worden om de op afstand bediende aan/uit klem van een BatteryProtect te regelen.

In tegenstelling tot een Cyrix of contactor kan een BatteryProtect het laden starten met een grote ingangscapacitor zoals een omvormer of een DC-DC converter.

### 4.4 Het opladen van de LiFePO<sub>4</sub> accu met een extra acculader

Opladen van de accu moet worden verminderd of gestopt in het geval van dreigende overbelasting van de cel of te hoge temperatuur.

De oplaadontkoppeling uitgangsspanning van de Smart BMS CL 12-100 kan hiervoor gebruikt worden.

De Oplaadontkoppeling is normaal gesproken hoog (gelijk aan de accuspanning) en schakelt over op open circuit in geval van imminente overbelasting van de cel.

Acculaders met een externe aan / uit-aansluiting die de lader activeert wanneer de terminal omhoog wordt getrokken (naar batterij plus) en wordt gedeactiveerd wanneer de terminal vrij wordt gelaten, kan direct worden bediend met de Laden Ontkoppeling-uitgang.

Zie bijlage voor een lijst van Victron producten met dit gedrag.

Acculaders met een terminal op afstand die de lader activeert wanneer de terminal wordt leeggetrokken (tot een minus batterij) en wordt gedeactiveerd wanneer de terminal vrij zwevend wordt gelaten, kan de aan / uit-kabel van de **omvormer externe aan-uit kabel** worden gebruikt. Zie de bijlage.

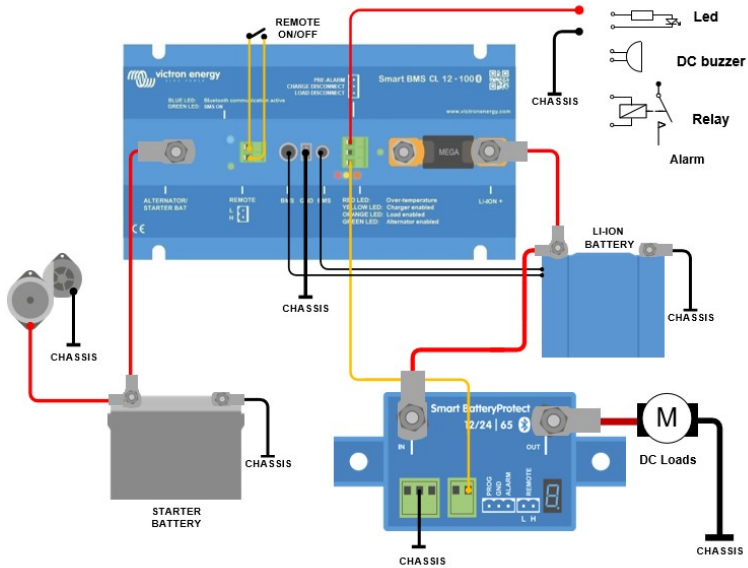
Als alternatief, kan een **Cyrix-Li-Charge** worden gebruikt:

De Cyrix-Li-Charge is een unidirectionele combiner die tussen een acculader en de LiFePO<sub>4</sub>-batterij wordt geplaatst. Het wordt uitsluitend ingeschakeld wanneer de laadspanning van een acculader aan de kant van de laad-zijde aanwezig is. Een regelklem maakt verbinding met de oplaadontkoppeling van de Stroom beperkende 12V Smart BMS.

### 4.5 Accu

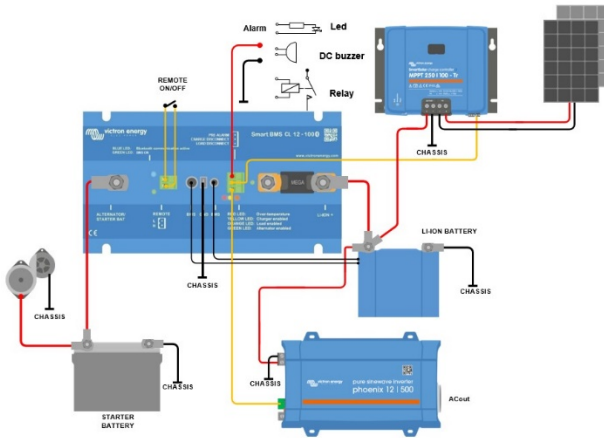
Bij meerdere batterijen in parallel en/of serieconfiguratie moeten de twee M8 circulaire connector kordsets van elke accu in serie verbonden worden (in een keten). Verbind de twee resterende snoeren met het BMS.

## 5. System voorbeelden

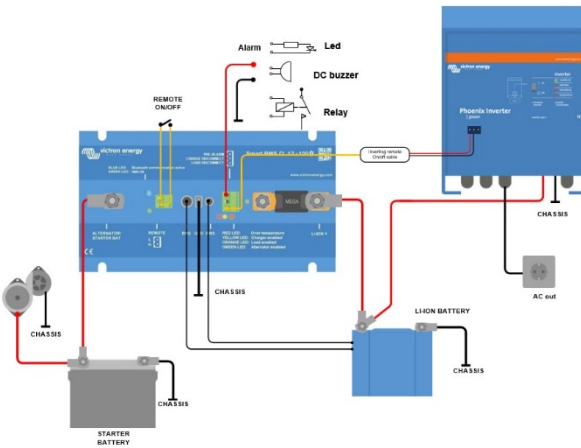


Afbeelding 1: Toepassingsvoorbeeld voor een voertuig of boot, met aan-/uitschakelaar tussen H en L

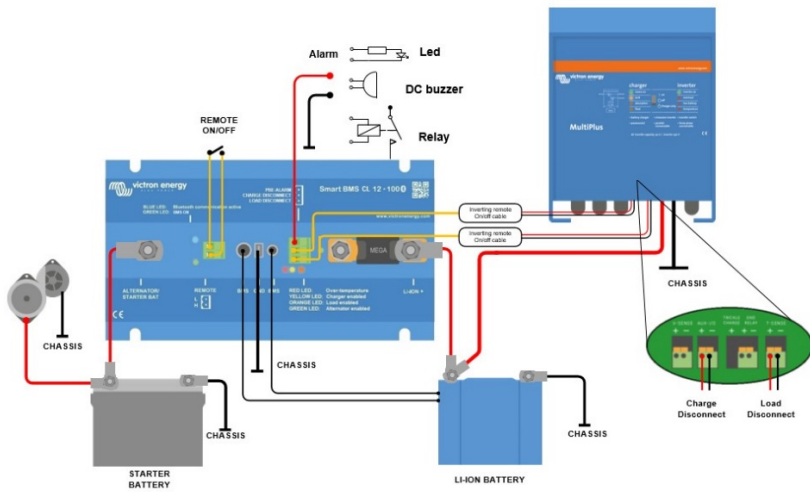




Afbeelding 2: Toepassingsvoorbeeld met een MPPT en een Phoenix omvormer



Afbeelding 3: Toepassingsvoorbeeld met een Phoenix VE.Bus Omvormer, met een gehalte van 3kVA en meer



Afbeelding 4: Toepassingsvoorbeeld met een 3kVA Multi van een recent type dat aanvullende invoerspanningen heeft

## 6. Specificaties

EN

NL

FR

DE

SE

Smart BMS CL 12-200	
Maximaal voortdurende laadstroom	100A (met 125A zekering)
Invoerstroom om te starten met laden	> 13V
Stroomverbruik, afstandsbediening ingeschakeld	16 mA (exclusief Laaduitgangsspanning en Oplaad uitgangsspanningsstroom)
Stroomverbruik, afstandsbediening uitgeschakeld	5 mA (BMS-functionaliteit nog steeds actief)
Laadontkoppeling uitgangsspanning	Normaal hoog (Vbat – 0,1V) Bronstroombelasting: 10mA (beveiligd tegen kortsluiting) Zinkstroom: 0A (uitgang vrij zwevend)
Oplaadontkoppeling uitgangsspanning	Normaal hoog (Vbat – 0,1V) Bronstroombelasting: 10mA (beveiligd tegen kortsluiting) Zinkstroom: 0A (uitgang vrij zwevend)
Pre-alarm uitgangsspanning	Normaal vrij vlottend Hoog (Vbat) in geval van alarm, max. 1A (niet bestand tegen kortsluiting)
Systeem aan / uit: Afstandsbediening L en Afstandsbediening H	Gebruik modi van het aan/uit systeem: a. AAN wanneer de L- en H-klem onderling verbonden zijn b. AAN wanneer de L-klem getrokken wordt naar batterij minus (V < 5V) c. AAN wanneer de H-klem hoog is (V > 3V) d. UIT in alle andere omstandigheden
<b>ALGEMEEN</b>	
Bedrijfstemperatuurbereik	-40°C tot +60°C
Vochtigheid, maximaal/gemiddeld	100% / 95%
Bescherming, elektronica	IP65
DC stroomverbinding	M8
DC-connector batterij minus	Faston vrouwelijk, 6,3 mm
<b>BEHUIZING</b>	
Gewicht	1,6kg
Afmetingen (hxbxd)	65 x 120 x 224 mm
<b>NORMEN</b>	
Emissie	EN 61000-6-3, EN 55014-1
Immunititeit	EN 61000-6-2, EN 61000-6-1, EN 55014-2
Automotive richtlijn	ECE R10-5

## **Bijlage:**

### **1. Belastingen die direct kunnen worden bestuurd door de Laadontkoppeling uitgangsspanning van de BMS**

#### **Omvormers:**

Alle Phoenix omvormers VE.Direct en Phoenix Omvormers Smart:  
Verbind de LAADONTKOPPELING met de **linker**-klem (H) van de 2-pool connector

#### **DC-DC omvormers:**

Alle Tr type DC-DC converters met op afstand bediende aan/uit connector en Orion 12/24-20  
Verbind de LAADONTKOPPELING met de **rechter**-klem van de 2-pool connector

#### **Battery Protect en de Smart Battery Protect**

Verbind de LAADONTKOPPELING met klem 2.1 (rechterklem) voor de Battery Protect en H pen voor de Smart Battery Protect van de 2-pool connector

#### **Cyrix-Li-Load**

Verbind de LAADONTKOPPELING met de regelvoerspanning

### **2. Ladingen waarvoor een omvormende op afstand bediende aan/uit kabel nodig is** (artikelnummer ASS030550100 of -120)

Alle Phoenix VE.Bus Omvormers en VE.Bus Omvormer Compact met een gehalte van 1200VA of meer.

### **3. Solar laadregelaars die direct kunnen worden aangestuurd via de Oplaad Ontkoppeling-uitgang**

#### **BlueSolar MPPT 150/70 en 150/80 CAN-bus**

Verbind de OPLAADONTKOPPELING met de **linker**-klem van de 2-pool connector (B+)

#### **SmartSolar MPPT 150/45 en hoger, 250/60 en hoger**

Verbind de OPLAADONTKOPPELING met de **rechter**-klem (gemarkeerd +) of de **linker**-klem (gemarkeerd H) van de 2-pool connector

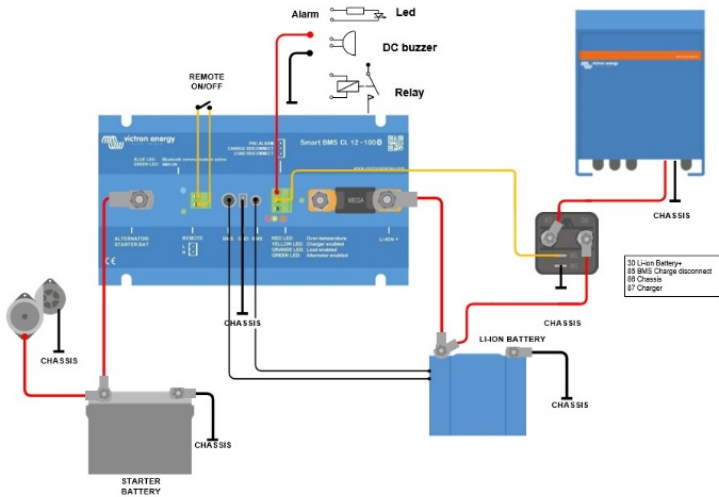
### **4. Solar laadregelaars waarvoor een VE.Direct niet-inverterende externe aan-uit-kabel nodig is**

(artikelnummer ASS030550320)

Alle BlueSolar MPPT-modellen, behalve de BlueSolar MPPT 150/70 en 150/80 CAN-bus

SmartSolar MPPT tot 150/35





## 5. Acculaders

(opmerking: geen aan-uit kabel nodig bij het verbinden van de oplader met de primaire kant van de BMS)

### Phoenix Smart IP43 Opladers

Verbind de OPLAADONTKOPPELING met de linker-klem (H) van de 2-pool connector

### Skylla TG acculaders

Gebruik een niet omvormende op afstand bediende aan-uit kabel.  
(artikelnummer ASS030550200)

### Skylla-i acculaders

Gebruik een Skylla-i op afstand bediende aan-uit kabel.  
(artikelnummer ASS030550400)

### Andere acculaders:

Gebruik een Cyrix-Li-Charge of verbind de oplader met de primaire zijde van de BMS.

## 6. MultiPlus-II

De MultiPlus-II modellen kunnen geregeld worden via de Laadontkoppeling en Oplaadontkoppeling uitgangsstromen door de BMS CL 12-200 op de MultiPlus-kabel (artikelnummer ASS070200100) te gebruiken. Deze kabel moet aangesloten zijn op de op afstand bediende aan/uit connector van de MultiPlus-II (verbind de zwarte draad met de lagere (-) klem en de rode draad met de bovenste (+) op afstand bediende aan-uit klem). Zowel de Laadontkoppeling en Oplaadontkoppeling uitgangsstromen van de BMS moeten in 'Hoge' status staan zodat de MultiPlus-II kan werken. Draai, na afsluiten door een te laag batterijvermogen, de alternator of gebruik een batterijoplader op de primair zijde van de BMS om het systeem te resetten. De MultiPlus-II zal dan inschakelen en starten met opladen (wanneer verbonden met een AC-stroombron).



## 7. MultiPlus

### MultiPlus 3kVA of meer

Refereer naar het document op onze website voor meer informatie over hoe de MultiPlus te configureren om te werken met de Smart BMS CL 12-100:

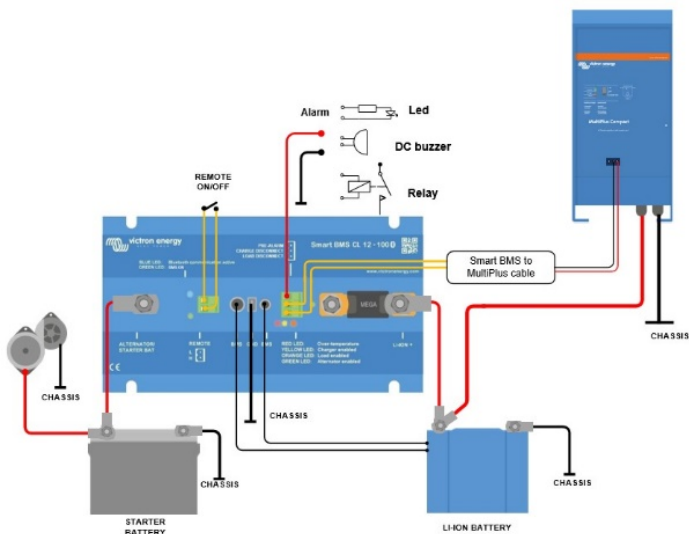
<https://www.victronenergy.com/upload/documents/Manual-Connecting-other-lithium-battery-systems-to-Multis-and-Quattros-EN.pdf>

De Laadontkoppeling en Oplaadontkoppeling uitgangsstromen zullen aangesloten worden op de MultiPlus met twee omvormende op afstand bediende aan-uit kabels (artikelnummer ASS030550100) zoals getoond in afbeelding 4 bovenaan.

### MultiPlus 500VA – 1600VA & MultiPlus Compact 800VA – 2kVA

Deze MultiPlus modellen kunnen geregeld worden via de Laadontkoppeling en Oplaadontkoppeling uitgangsstromen door de BMS CL 12-200 op de MultiPlus-kabel (artikelnummer ASS070200100) te gebruiken. Deze kabel moet aangesloten worden op de op afstand bediende aan/uit connector van de MultiPlus (verbind de zwarte draad met de AAN-klem en de rode draad met de (+) klem).

Zowel de Laadontkoppeling en Oplaadontkoppeling uitgangsstromen van de BMS moeten in 'Hoge' status staan zodat de MultiPlus kan werken. Draai, na afsluiten door een te laag batterijvermogen, de alternator of gebruik een batterijoplader op de primair zijde van de BMS om het systeem te resetten. De MultiPlus-II zal dan inschakelen en starten met opladen (wanneer verbonden met een AC-stroombron).







# 1. Description générale

## **Il s'agit d'un Smart BMS équipé d'un limiteur de courant de charge qui protège l'alternateur contre les surcharges.**

Le Smart BMS CL est conçu pour travailler avec des batteries Victron Smart LiFePo4 disposant de connecteurs circulaires M8. Il peut prendre en charge jusqu'à 5 batteries raccordées en parallèle (les BTV sont simplement mises en séries).

### **Protection de la batterie de démarrage**

Cette fonction est semblable à celle d'un coupleur de batterie Cyrix ou d'un répartiteur de batterie FET Argo. Le courant peut circuler à travers les batteries LFP uniquement si la tension d'entrée (= tension sur la batterie de démarrage) dépasse 13 V.

De plus, le courant ne peut pas recirculer de la batterie LFP à la batterie de démarrage, ce qui évite d'endommager la batterie LFP en raison d'une décharge excessive.

### **Protection de la batterie et de l'alternateur**

Le courant d'entrée est limité électroniquement à environ 80 % de la capacité nominale du fusible. Par exemple, un fusible de 100 A limitera le courant d'entrée à environ 80 A. (Concernant les capacités nominales des fusibles et les limites de courant correspondantes, consultez le tableau 1).

Bien choisir le fusible permettra donc de :

- Protéger la batterie LFP contre un courant de charge excessif (important pour une batterie LFP à faible capacité).
- Protéger l'alternateur contre la surcharge dans le cas de bancs de batteries LFP à haute capacité (la plupart des alternateurs de 12 V surchaufferont et tomberont en panne s'ils fonctionnent avec une sortie de courant maximal pendant plus de 5 minutes).

### **Protection des batteries au lithium-ion**

Une tension d'entrée excessive et des phénomènes transitoires sont réduits à un niveau de sécurité.

Le BMS cessera de recharger la batterie en cas de surchauffe ou de surtension des cellules.

Il dispose de trois sorties tout comme le miniBMS.

#### Sortie de déconnexion de la charge

La sortie de la charge consommatrice est normalement élevée, et elle devient flottante en cas de risque imminent de sous-tension sur la(les) cellule(s) (par défaut 2,8 V/cellule, valeur ajustable sur la batterie entre 2,6 et 2,8 V par cellule). Courant maximal : 10 mA. La sortie de la charge peut être utilisée pour contrôler l'allumage/arrêt à distance d'un Battery Protect, d'un inverseur ou d'un convertisseur CC-CC ou d'autres charges consommatrices.

#### Sortie de préalarme :

La sortie de préalarme peut être utilisée pour alerter d'une tension de batterie trop faible. Elle se déclenche avant que la sortie de déconnexion de la charge ne soit désactivée par une sous-tension sur une cellule.

La sortie de la préalarme peut être utilisée pour activer un relais, un voyant LED ou un buzzer. Elle peut être configurée pour envoyer un signal continu ou intermittent.

La sortie de préalarme est normalement flottante, et elle devient élevée en cas de risque imminent de sous-tension sur la(les) cellule(s) (par défaut 3,1 V/cellule, valeur ajustable sur la batterie entre 2,85 et 3,15 V par cellule). Courant maximal : 1 A (non protégée contre les courts-circuits).

Le retard minimal de déconnexion entre la préalarme et la déconnexion de la charge est de 30 secondes.

#### Sortie de déconnexion du chargeur

La sortie avec déconnexion du chargeur est normalement élevée et elle devient flottante en cas de surtension ou surchauffe imminente sur les cellules. Courant maximal : 10 mA. La sortie du chargeur n'est pas adaptée pour alimenter une charge inductive telle qu'une bobine de relais. La sortie du chargeur peut être utilisée pour contrôler : L'allumage/arrêt à distance d'un chargeur, un relais de chargeur Cyrix-Li, un coupleur de batterie Cyrix-Li-ct.

(Remarque : dans certains cas, un câble d'interface sera nécessaire. Veuillez consulter le manuel.)

Un câble inverseur ou non inverseur d'allumage/arrêt peut être nécessaire. Veuillez consulter l'annexe.

#### **Entrée d'arrêt/allumage à distance**

L'entrée d'allumage/arrêt à distance contrôle le processus de charge à travers l'alternateur alors que la fonctionnalité du BMS continue d'être active, quel que soit l'état de l'allumage/arrêt à distance.

L'allumage/arrêt peut également être utilisé en tant qu'interrupteur d'allumage et d'arrêt d'un système. Cette entrée peut être configurée via VictronConnect. L'allumage/arrêt du système dispose de deux bornes : L à distance, et H à distance.

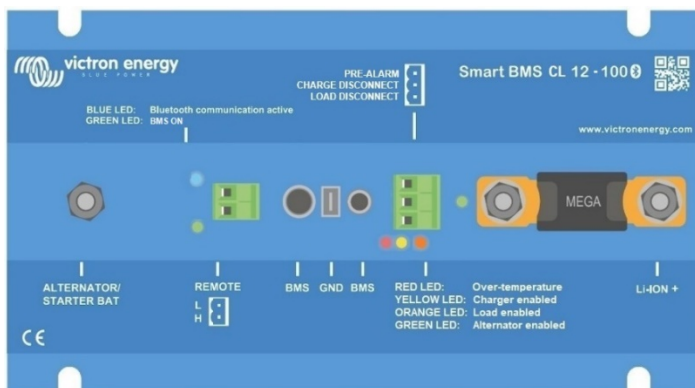
Un interrupteur d'allumage/arrêt à distance ou un contact de relais peut être raccordé entre les bornes L et H.

Il est également possible que la borne H puisse être commutée sur la borne positive de la batterie, ou que la borne L le soit sur la borne négative de la batterie.

#### **Voyants LED (de gauche à droite)**

- Vert : Smart BMS CL 12 V/100 A actif
- Bleu : clignotant – émission Bluetooth ; fixe – connexion établie
- Rouge : protection contre les surchauffes du Smart BMS limitant le courant à 12 V
- Jaune : la sortie de déconnexion du chargeur est activée
- Orange : la sortie de déconnexion de la charge est activée
- Vert : chargement en cours alternateur





EN

NL

FR

DE

SE

## 2. Consignes de sécurité

L'installation doit respecter strictement les réglementations internationales en matière de sécurité conformément aux exigences relatives au boîtier, à l'installation, à la ligne de fuite, au jeu, aux sinistres, aux marquages et à la séparation de l'application d'utilisation finale. L'installation doit être réalisée uniquement par des techniciens qualifiés et formés. Arrêtez le système et vérifiez les risques liés aux tensions avant de modifier toute connexion.

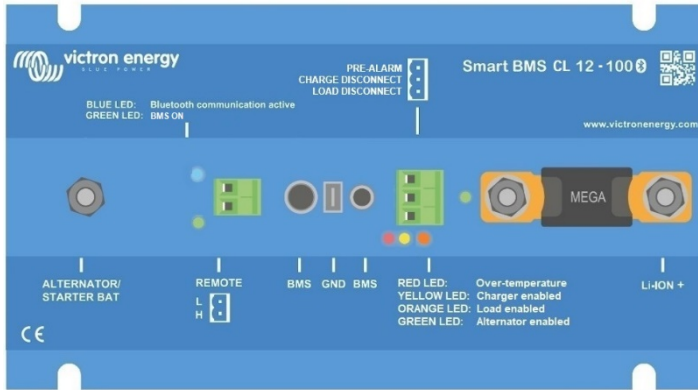
11. Ne pas ouvrir la batterie au lithium-ion.
12. Ne pas décharger une batterie au lithium-ion neuve tant qu'elle n'a pas été d'abord entièrement chargée.
13. Charger uniquement dans les limites spécifiées.
14. Ne pas installer la batterie au lithium-ion à l'envers.
15. Vérifier si la batterie au lithium-ion a été endommagée durant le transport.

## 3. Instructions d'installation

17. Installez le BMS de préférence sur une surface verticale afin d'obtenir un refroidissement optimal.
18. Déterminez la capacité nominale du fusible (voir Illustration et Tableau 1). Le fusible agit comme un shunt, c'est pourquoi le BMS CL limitera le courant d'entrée conformément à la capacité nominale de ce fusible. Concernant les fusibles et les limites de courant correspondantes, consultez le tableau 1). Bien choisir son fusible évitera de surchauffer l'alternateur et/ou le câblage CC.
19. Déconnectez le câblage du pôle négatif de la batterie de démarrage.
20. Retirez le connecteur on/off À DISTANCE afin d'éviter un allumage non désiré du BMS.

21. Installez et connectez le fusible et tout le câblage électrique. Ne branchez pas les pôles négatifs des batteries au lithium-ion et de la batterie de démarrage. **Assurez-vous que les écrous M8 du fusible sont correctement serrés.**
22. Reliez en série les câbles de contrôle de la batterie entre les batteries au lithium-ion et connectez-les au BMS.
23. Connectez le câble de terre au négatif des batteries au lithium-ion et de la batterie de démarrage.
24. Réinsérez le connecteur on/off À DISTANCE sur le BMS.

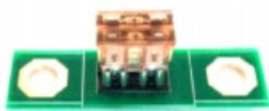
Le BMS est maintenant prêt à l'emploi.



- EN
- NL
- FR
- DE
- SE

**Tableau 3: courant de charge par capacité nominale du fusible**

Valeurs nominales du fusible	Courant de charge max
125 A	100 A
100 A	90 A
80 A	60 A
60 A	50 A
2 x 30 A	40 A
2 x 20 A	25 A
2 x 15 A	20 A
2 x 10 A	12 A
2 x 7,5 A	9 A



If the required charge current (input AB) is less than 40 A, please use this ATO fuse holder

## 4. Éléments à prendre en compte

### 4.1 Avertissement important

Les batteries au lithium-ion sont chères et elles peuvent être endommagées par une décharge ou charge excessive.

Des dommages dus à une décharge excessive peuvent survenir si de petites charges (par ex. des systèmes d'alarme, des relais, un courant de veille de certaines charges, un courant de rappel absorbé des chargeurs de batterie ou régulateurs de charge) déchargent lentement la batterie quand le système n'est pas utilisé.

En cas de doute quant à un risque d'appel de courant résiduel, isolez la batterie en ouvrant l'interrupteur de batterie, en tirant le(s) fusible(s) de la batterie ou en déconnectant le pôle positif de la batterie si le système n'est pas utilisé.

**Un courant de décharge résiduel est particulièrement dangereux si le système a été entièrement déchargé et qu'un arrêt a eu lieu en raison d'une tension faible sur une cellule. Après un arrêt dû à une tension de cellule trop faible, une réserve de puissance d'environ 1 Ah par batterie de 100 Ah est laissée dans la batterie. La batterie sera endommagée si la réserve de puissance restante est extraite de la batterie. Par exemple, un courant résiduel de 10 mA peut endommager une batterie de 200 Ah si le système est laissé déchargé pendant plus de 8 jours.**

### 4.2 Charges CC avec des bornes d'allumage/arrêt (on/off) à distance

Les charges CC doivent être éteintes ou débranchées en cas de sous-tension imminente sur les cellules.

La sortie de déconnexion de la charge du Smart BMS CL 12-100 peut être utilisée à cette fin.

La sortie de déconnexion de la charge est normalement élevée (égale à la tension de la batterie) et elle devient flottante (= circuit ouvert) en cas de sous-tension imminente sur une cellule.

Les charges CC avec une borne d'allumage/arrêt à distance, qui active la charge quand la borne est à son niveau élevé (au pôle positif de la batterie) et qui la désactive si la borne est flottante, peuvent être contrôlées directement avec la sortie de déconnexion de la charge.

Voir l'annexe pour une liste des produits Victron présentant ce comportement.

Pour les charges CC avec une borne d'allumage/arrêt à distance qui allume la charge quand la borne est à son niveau bas (au pôle négatif de la batterie) et qui l'éteint si la borne est flottante, le **câble inverseur d'allumage/arrêt à distance** peut être utilisé. Voir l'annexe.

**Remarque : veuillez vérifier le courant résiduel de la charge quand elle est éteinte. Après un arrêt dû à une tension de cellule trop faible, une réserve de puissance d'environ 1 Ah par batterie de 100 Ah est laissée dans la batterie. Par exemple, un courant résiduel de 10 mA peut endommager une batterie de 200 Ah si le système est laissé déchargé pendant plus de 8 jours.**



### 4.3 Charge CC : déconnexion de la charge avec BatteryProtect

Un dispositif Battery Protect déconnectera la charge si :

- la tension d'entrée (= tension de batterie) baisse en dessous de la valeur préconfigurée, ou si
- la borne d'allumage/arrêt à distance passe à son niveau bas.

Le Smart BMS CL 12-100 peut être utilisé pour contrôler la borne d'allumage/arrêt à distance d'un BatteryProtect.

Contrairement à un Cyrix ou un contacteur, un BatteryProtect peut démarrer une charge avec un grand condensateur d'entrée tel qu'un inverseur ou un convertisseur CC-CC.

### 4.4 Charger la batterie LiFePO<sub>4</sub> avec un chargeur de batterie supplémentaire

La charge de la batterie doit être réduite ou arrêtée en cas de surtension ou surchauffe imminente des cellules.

La sortie de déconnexion de charge du Smart BMS CL 12-100 peut être utilisée à cette fin.

La déconnexion de charge est normalement élevée (égale à la tension de la batterie) et elle commute à l'état de circuit ouvert en cas de surtension imminente sur une cellule.

Les chargeurs de batterie ayant une borne d'allumage/arrêt à distance — qui active le chargeur quand la borne est à son niveau élevé (au pôle positif de la batterie) et qui le désactive si la borne est laissée flottante — peuvent être contrôlés directement avec la sortie de déconnexion de charge.

Voir l'annexe pour une liste des produits Victron présentant ce comportement.

Pour les chargeurs de batterie ayant une borne à distance qui active le chargeur si la borne est à son niveau bas (au pôle négatif de la batterie) et qui le désactive si la borne est laissée flottante, le **câble inverseur d'allumage/arrêt à distance** peut être utilisé. Voir l'annexe.

Sinon, un **Cyrix-Li-Charge** peut être utilisé :

Le Cyrix-Li-Charge est un coupleur unidirectionnel qui est placé entre un chargeur de batterie et la batterie LiFePO<sub>4</sub>. Il ne s'active que si une tension de charge provenant d'un chargeur de batterie est présente sur sa borne côté-charge. Une borne de contrôle se connecte à la sortie de déconnexion du Smart BMS limitant le courant à 12 V.

### 4.5. Batterie

En cas de configuration en parallèle et/ou en série de plusieurs batteries, les deux ensembles de conducteurs circulaires M8 de chaque batterie doivent être connectés en série (connexion en série). Connectez au BMS les deux paires de conducteurs restant.

## 5. Exemples de système

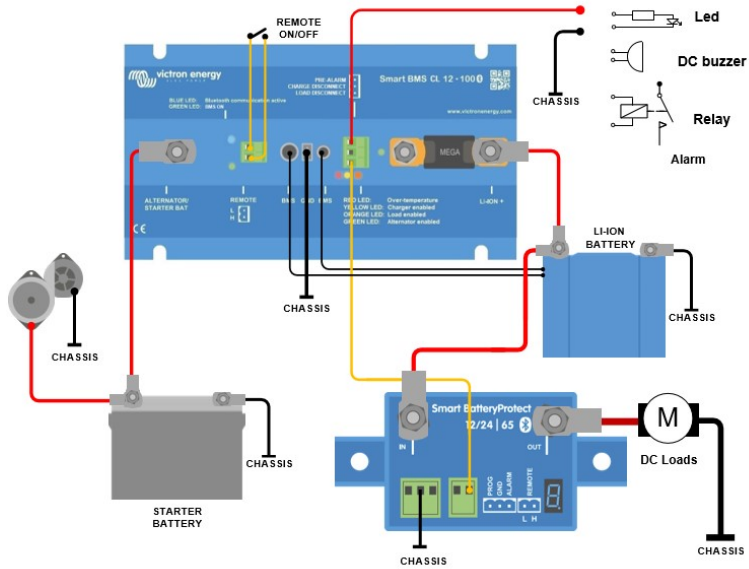


Illustration 1 : exemple d'application pour un véhicule ou un bateau avec un interrupteur d'allumage/arrêt entre H et L.



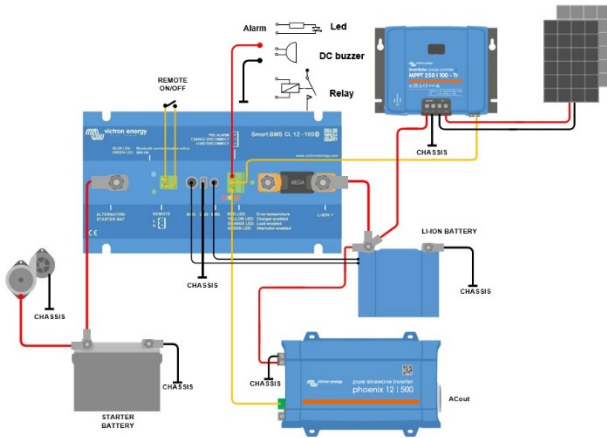


Illustration 2 : exemple d'application avec un MPPT et un convertisseur

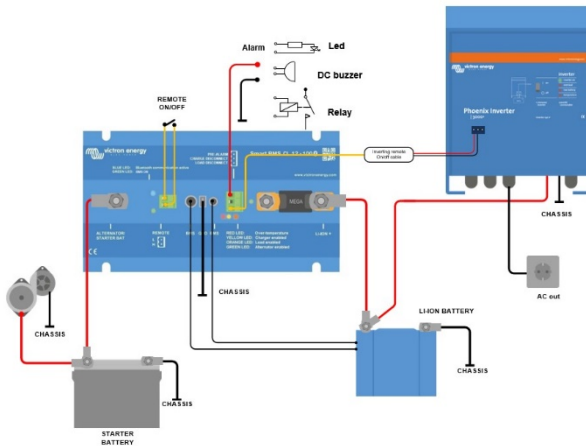


Illustration 3 : exemple d'application avec un convertisseur Phoenix VE.Bus ayant une capacité nominale de 3 kVA et plus.

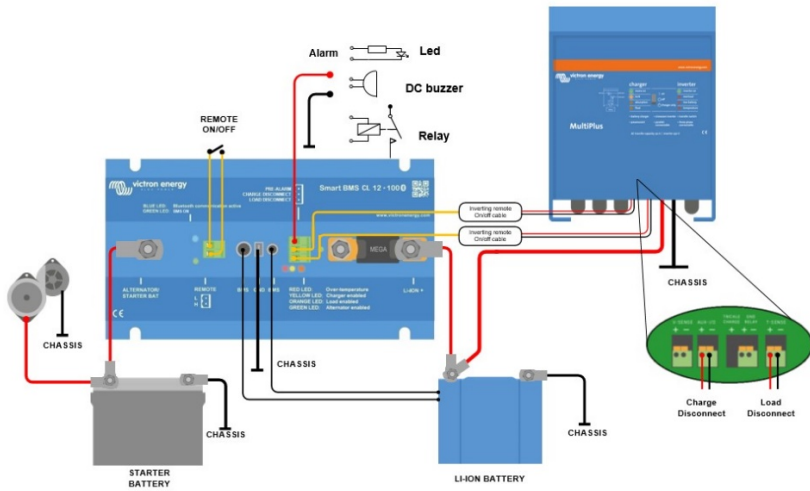


Illustration 4 : exemple d'application avec un Multi de 3 kVA de type récent qui dispose d'entrées auxiliaires.

## 6. Spécifications

EN

NL

FR

DE

SE

Smart BMS CL 12-200	
Courant de charge continu maximal	100 A (avec fusible de 125 A)
Tension d'entrée pour démarrer le processus de recharge	> 13 V
Consommation de courant, option à distance allumée	16 mA (sans compter le courant de sortie de la charge et celui du chargeur)
Consommation de courant, option à distance éteinte	5 mA (fonctionnalité BMS toujours active)
Sortie de déconnexion de la charge	Normalement élevée (Vbat – 0,1 V) Limite de courant de source : 10 mA (protégée contre les courts-circuits). Courant absorbé : 0 A (sortie flottante)
Sortie de déconnexion du chargeur	Normalement élevée (Vbat – 0,1 V) Limite de courant de source : 10 mA (protégée contre les courts-circuits). Courant absorbé : 0 A (sortie flottante)
Sortie de préalarme	Flottante en général Élevée (Vbat) en cas d'alarme, 1 A maxi. (non protégée contre les courts-circuits)
Allumage/arrêt du système : L à distance, et H à distance	Modes d'utilisation de l'allumage/arrêt à distance : a. ON si les bornes L et H sont connectées entre elles b. ON si la borne L est raccordée à la borne négative de la batterie (V < 5 V) c. ON si la borne H présente une tension élevée (V > 3 V) d. OFF (arrêté) dans tous les autres cas.
GÉNÉRAL	
Plage de température d'exploitation	-40 °C to +60°C
Humidité. Maximale/moyenne	100 % / 95 %
Protection, électroniques	IP65
Connexion alimentation CC	M8
Connecteur CC Pôle négatif de batterie	Borne femelle, 6,3 mm de type Faston
BOÎTIER	
Poids	1,6 kg
Dimensions (h x l x p)	65 x 120 x 224 mm
NORMES	
Émission	EN 61000-6-3, EN 55014-1
Immunité	EN 61000-6-2, EN 61000-6-1, EN 55014-2
Directive sur l'automobile	ECE R10-5

## Annexe :

### 1. Charges pouvant être contrôlées directement par la sortie de déconnexion de la charge du BMS.

#### **Inverseurs :**

Tous les convertisseurs Phoenix VE.Direct et Phoenix Smart :  
Branchez le point de DÉCONNEXION DE LA CHARGE sur la borne **gauche** (H) du connecteur à 2 pôles.

#### **Convertisseurs CC/CC :**

Tous les convertisseurs CC/CC de type Tr ayant un connecteur d'allumage/arrêt à distance, et Orion 12/24-20  
Branchez le point de DÉCONNEXION DE LA CHARGE sur la borne **droite** du connecteur à 2 pôles.

#### **Battery Protect et Smart Battery Protect**

Branchez le point de DÉCONNEXION DE LA CHARGE à la borne 2.1 (borne de droite) pour le Battery Protect, et à la broche H pour le Battery Protect du connecteur à deux pôles.

#### **Cyrix - Li-Load**

Branchez le point de DÉCONNEXION DE LA CHARGE à l'entrée de contrôle.

### 2. Charges pour lesquelles un câble inverseur d'allumage/arrêt à distance est nécessaire (Référence de l'article ASS030550100 ou 120)

Tous les convertisseurs Phoenix VE.Bus et les convertisseurs VE.Bus Compact ayant une capacité nominale de 1 200 VA ou plus.

### 3. Contrôleurs de charge solaires pouvant être contrôlés directement par la sortie de déconnexion du chargeur.

#### **BlueSolar MPPT 150/70 et 150/80 CAN-bus**

Raccordez le POINT DE DÉCONNEXION DU CHARGEUR la borne de **gauche** du connecteur à deux pôles (B+).

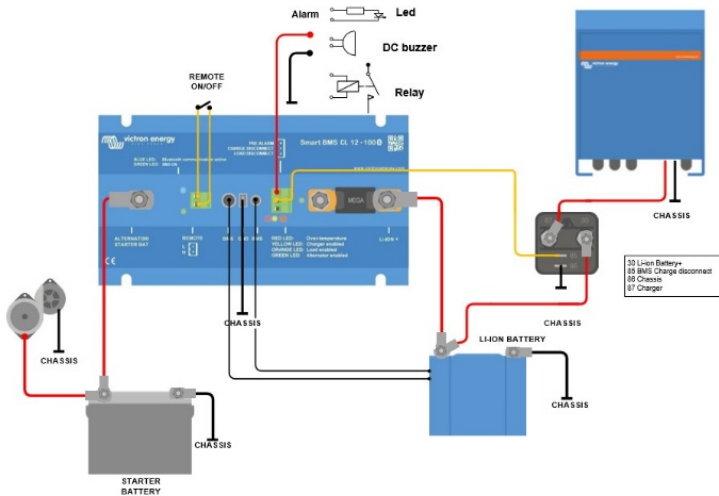
#### **SmartSolar MPPT 150/45 et version supérieure, 250/60 et version supérieure.**

Raccordez le point de DÉCONNEXION du CHARGEUR à la borne de **droite** (signalée par un +) ou à la borne de **gauche** (signalée par H) du connecteur à deux pôles.

### 4. Contrôleurs de charge solaire pour lesquels un câble inverseur d'allumage/arrêt à distance VE.Direct est nécessaire. (Référence de l'article ASS030550320)



Tous les modèles BlueSolar MPPT, sauf le MPPT BlueSolar 150/70 et le Bus-Can 150/80.  
SmartSolar MPPT jusqu'à 150/35.



## 5. Chargeurs de batterie

(Remarque : aucun câble d'allumage/arrêt ne sera nécessaire lorsque le chargeur est raccordé au côté primaire du BMS).

### Chargeurs Phoenix Smart IP43

Branchez le point de DÉCONNEXION DU CHARGEUR sur la borne gauche (H) du connecteur à 2 pôles.

### Chargeurs de batterie Skylla TG

Utilisez un câble non inverseur d'allumage/arrêt à distance (Référence de la pièce ASS030550200)

### Chargeurs de batterie Skylla-i

Utilisez un câble d'allumage-arrêt à distance Skylla-i (Référence de la pièce ASS030550400)

### Autres chargeurs de batterie :

Utilisez un chargeur Cyrix-Li ou branchez le chargeur sur le côté primaire du BMS.

## 6. MultiPlus-II

Les modèles MultiPlus-II peuvent être contrôlés depuis les sorties de déconnexion de charge et du chargeur en utilisant le câble allant du BMS CL 12-200 au MultiPlus (référence ASS070200100). Ce câble doit être branché à l'interrupteur d'allumage/arrêt à distance du MultiPlus-II (branchez le fil noir à la borne du bas (-) et le fil rouge à la borne du haut (+) de la borne d'allumage/arrêt à distance). Les deux sorties de Déconnexion de charge et du chargeur du BMS doivent être à l'état « Élevée » afin que le MultiPlus-II fonctionne. Après un arrêt dû à une tension de batterie trop faible, faites fonctionner l'alternateur ou utilisez un chargeur de batterie sur le côté primaire du BMS pour réinitialiser le système. Le MultiPlus-II s'allumera et commencera le processus de charge (s'il est connecté à une source CA).



## 7. MultiPlus

### MultiPlus 3 kVA ou plus

Pour davantage d'informations sur la manière de configurer le MultiPlus pour le faire marcher avec un Smart BMS CL 12-100, veuillez consulter le document sur notre site Web :

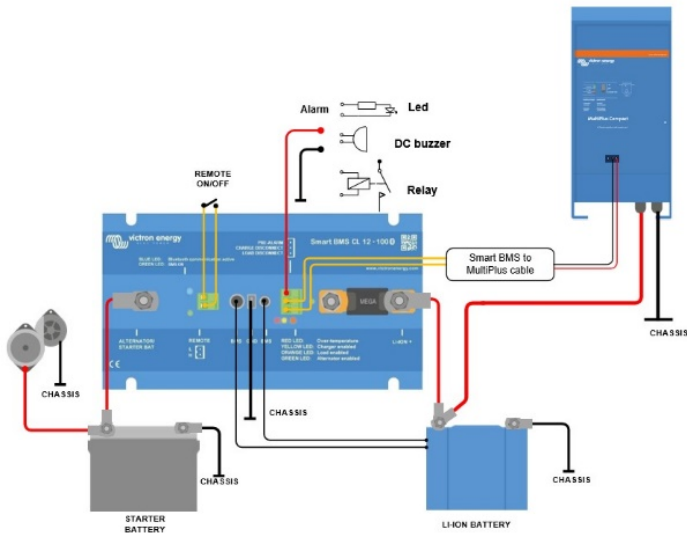
<https://www.victronenergy.com/upload/documents/Manual-Connecting-other-lithium-battery-systems-to-Multi-and-Quattros-EN.pdf>

Les sorties de déconnexion de charge et du chargeur seront branchées au MultiPlus avec deux câbles inverseurs d'allumage/arrêt à distance (référence ASS030550100) comme le montre l'illustration 4 ci-dessus.

### MultiPlus 500 VA – 1600 VA et MultiPlus Compact 800 VA – 2 kVA

Les modèles MultiPlus peuvent être contrôlés depuis les sorties de déconnexion de charge et du chargeur en utilisant le câble allant du BMS CL 12-200 au MultiPlus (référence ASS070200100). Ce câble doit être branché au connecteur d'allumage/arrêt à distance du MultiPlus (branchez le fil noir sur la borne On et le fil rouge sur la borne (+)).

Les deux sorties de Déconnexion de charge et du chargeur du BMS doivent être à l'état « Élevée » afin que le MultiPlus fonctionne. Après un arrêt dû à une tension de batterie trop faible, faites fonctionner l'alternateur ou utilisez un chargeur de batterie sur le côté primaire du BMS pour réinitialiser le système. Le MultiPlus s'allumera et commencera le processus de charge (s'il est connecté à une source CA).







# 1. Allgemeine Beschreibung

## Ein Smart BMS mit Ladestrombegrenzung, das die Lichtmaschine vor Überlastung schützt

Das Smart BMS CL ist für die Verwendung mit Victron Smart LiFePo4 Batterien mit M8 Rundsteckverbindern vorgesehen. Es unterstützt bis zu 5 Batterien parallel (BTVs werden einfach in Reihe geschaltet).

### Schutz der Starterbatterie

Diese Funktion ist ähnlich der eines Cyrix-Batteriekombinators oder Argo-FET-Batterieisolators. Strom kann nur dann zur LFP-Batterie fließen, wenn die Eingangsspannung (= Spannung an der Starterbatterie) 13V übersteigt. Außerdem kann der Strom nicht von der LFP-Batterie zur Starterbatterie zurückfließen, wodurch eine mögliche Beschädigung der LFP-Batterie durch übermäßige Entladung verhindert wird.

### Lichtmaschinen- und Batterieschutz

Der Eingangsstrom ist elektronisch auf ca. 80% des Sicherungswertes begrenzt. Eine 100A-Sicherung z.B. begrenzt daher den Eingangsstrom auf ca. 80A. (Sicherungswerte und entsprechende Strombegrenzung siehe Tabelle 1)

Die Wahl der richtigen Sicherung wird:

- Die LFP-Batterie vor zu hohem Ladestrom schützen (wichtig bei einer LFP-Batterie mit geringer Kapazität).
- Die Lichtmaschine vor Überlastung im Falle einer LFP-Batteriebank mit hoher Kapazität schützen (die meisten 12V-Lichtmaschinen überhitzen und fallen aus, wenn sie länger als 5 Minuten mit maximaler Leistung laufen).

### Li-Ionen-Batterie-Schutz

Übermäßige Eingangsspannungen und Transienten werden auf ein sicheres Level heruntergeregelt.

Das BMS stoppt den Ladevorgang bei Überspannung oder Übertemperatur der Zelle.

Es hat drei Ausgänge, ähnlich wie das miniBMS:

#### Lasttrennausgang

Der Lastausgang ist normalerweise hoch und wird frei schwebend, wenn die Zelle unter Spannung steht (Standard 2,8V/Zelle, einstellbar an der Batterie zwischen 2,6V und 2,8V pro Zelle). Maximaler Strom: 10mA. Der Lastausgang kann verwendet werden, um den Fern-Ein/Aus-Eingang eines Batterieschutzes, eines Wechselrichters, eines DC-DC-Wandlers oder anderer Lasten zu steuern.

#### Voralarmausgang

Der Voralarmausgang kann als Warnung verwendet werden, wenn die Batteriespannung niedrig ist, und er wird kurz vor der Deaktivierung des Lasttrennausgangs wegen Unterspannung der Zelle auslösen.

Der Voralarmausgang kann zur Ansteuerung eines Relais, einer LED oder eines Summers verwendet werden. Er kann als kontinuierliches oder intermittierendes Signal konfiguriert werden.

Der Voralarmausgang ist normalerweise frei schwebend und wird bei drohender Überspannung der Zelle hoch (Standard 3,1V/Zelle, einstellbar an der Batterie zwischen 2,85V und 3,15V pro Zelle). Maximaler Strom: 1 A (nicht kurzschlussfest)

Die Mindestverzögerung zwischen Voralarm und Lasttrennung beträgt 30 Sekunden.

#### Ladetrennausgang

Der Ausgang des Ladegerätes ist normalerweise hoch und wird bei drohender Überspannung oder Übertemperatur der Zelle frei schwebend. Maximaler Strom: 10mA. Der Ausgang "Charger" (Ladegerät) ist nicht geeignet, um eine induktive Last wie z. B. eine Relaispule zu betreiben. Der Ausgang "Charger" (Ladegerät) kann zur Steuerung folgender Geräte verwendet werden: Das ferngesteuerte Ein-/Ausschalten eines Ladegerätes, eines Cyrix-Li-Laderrelais, eines Cyrix-Li-ct-Batteriekombinators.

(Hinweis: in einigen Fällen wird ein Schnittstellenkabel benötigt, bitte beachten Sie das Handbuch)

Ein nichtinvertierendes oder invertierendes Ein/Aus-Kabel kann erforderlich sein, bitte beachten Sie den Anhang

#### **Fern-Ein/Aus-Eingang**

Der Fern-Ein/Aus-Eingang steuert den Ladevorgang über die Lichtmaschine, während die BMS-Funktionalität unabhängig vom Fern-Ein/Aus-Zustand aktiv bleibt.

Die Fernbedienung kann auch als Ein/Aus-Schalter des Systems verwendet werden. Kann über VictronConnect konfiguriert werden.

Der Eingang "System on/off" verfügt über zwei Anschlüsse: Remote L und Remote H.

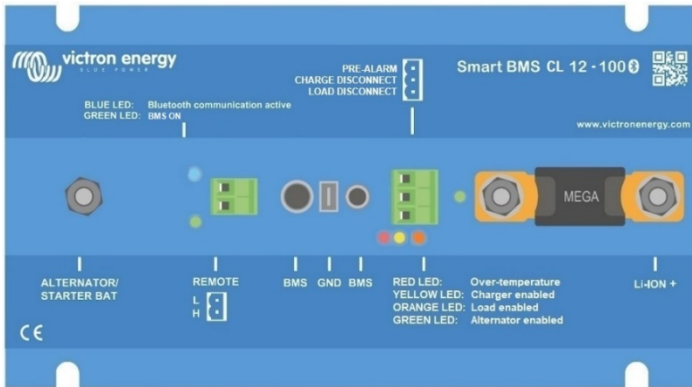
Zwischen L und H lässt sich ein ferngesteuerter Ein-/Aus-Schalter oder ein Relais-Kontakt anschließen.

Alternativ kann Anschluss H an einen Batterie-Pluspol oder L an einen Batterie-Minuspol geschaltet werden.

#### **LED-Anzeigen (von links nach rechts)**

- Grün: Smart BMS CL 12V/100A ist aktiv
- Blau: blinkend - Bluetooth-Übertragung, EIN - Verbindung aufgebaut
- Rot: Übertemperaturschutz der Strombegrenzung 12V Smart BMS
- Gelb: Ladetrennausgang ist aktiviert
- Orange: Lasttrennausgang ist aktiviert
- Grün: Lichtmaschine Aufladung





EN

NL

FR

DE

SE

## 2. Sicherheitshinweise

Bei der Installation müssen die nationalen Sicherheitsbestimmungen bezüglich des Gehäuses, der Installation, der Luft- und Kriechstrecken, des Unfallschutzes, der Markierungs- und der Trennungsanforderungen für die Endnutzeranwendung genau eingehalten werden. Die Installation darf nur durch qualifizierte und ausgebildete Techniker vorgenommen werden. Schalten Sie vor der Arbeit an den Anschlüssen zunächst das System aus und überprüfen Sie, ob noch irgendwo gefährliche Spannungen anliegen.

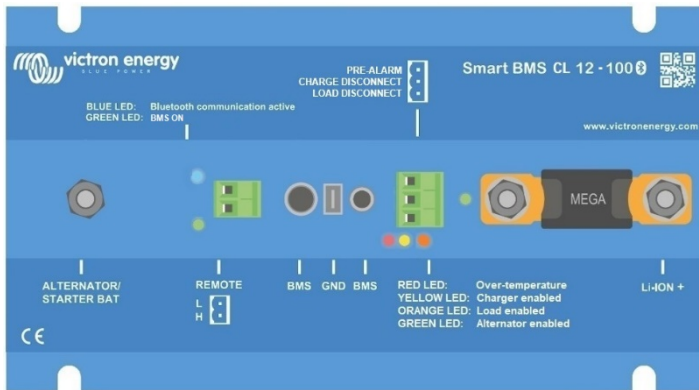
16. Öffnen Sie niemals die Lithium-Ionen-Batterie.
17. Entladen Sie eine neue Lithium-Ionen-Batterie erst, nachdem diese zunächst voll geladen wurde.
18. Achten Sie beim Laden auf die angegebenen Begrenzungen.
19. Montieren Sie die Lithium-Ionen-Batterie nicht verkehrt herum.
20. Überprüfen Sie die Lithium-Ionen-Batterien auf Transportschäden.

## 3. Installationshinweise

25. Montieren Sie das BMS vorzugsweise an einer vertikalen Fläche, um eine optimale Kühlung zu gewährleisten.
26. Bestimmen Sie den Nennwert der Sicherung (siehe Abbildung und Tabelle 1). Die Sicherung verdoppelt sich als Shunt, so dass das BMS CL den Eingangsstrom entsprechend der Bemessung dieser Sicherung begrenzt. Sicherung und entsprechende Strombegrenzung siehe Tabelle 1.  
Die Wahl der richtigen Sicherung verhindert eine Überhitzung der Lichtmaschine bzw. der DC-Verkabelung.
27. Trennen Sie die Verkabelung vom Minuspol der Starterbatterie.

28. Trennen Sie den Stecker für den FERNGESTEUERTEN Ein-/Aus-Schalter, um ein versehentliches Einschalten des BMS zu verhindern.
29. Installieren und schließen Sie die Sicherung und alle elektrischen Kabel an, lassen Sie die Minuspole der Lithium-Ionen-Batterien und der Starterbatterie abgeklemmt. **Achten Sie darauf, dass die M8-Muttern der Sicherung richtig angezogen sind.**
30. Verketteten Sie die Batteriesteuerungskabel zwischen den Lithium-Ionen-Batterien und schließen Sie den BMS an.
31. Verbinden Sie die GND-Verkabelung mit dem Minus der Lithium-Ionen-Batterien und der Starterbatterie.
32. Verbinden Sie den Stecker für den FERNGESTEUERTEN Ein-/Aus-Schalter wieder mit dem BMS.

Der BMS ist nun einsatzbereit.



- EN
- NL
- FR
- DE
- SE

**Tabelle 4: Ladestrom pro Sicherungswert**

Sicherungswerte	Max charge current (Maximaler Lade- Strom):
125 A	100 A
100 A	90 A
80 A	60 A
60 A	50 A
2 x 30 A	40 A
2 x 20 A	25 A
2 x 15 A	20 A
2 x 10 A	12 A
2 x 7,5 A	9 A



If the required charge current  
(input AB) is less than 40 A,  
please use this ATO fuse holder

## 4. Wichtige Dinge, die zu berücksichtigen sind:

### 4.1 Wichtiger Hinweis

Lithium-Ionen-Batterien sind teuer und können durch ein zu tiefes Entladen oder ein Überladen beschädigt werden.

Es kann zu Beschädigungen aufgrund einer zu tiefen Entladung kommen, wenn kleine Lasten (wie: Alarmsysteme, Relais, der Standby-Strom bestimmter Lasten, der Rückstromfluss der Batterieladegeräte oder Laderegler) die Batterie langsam entladen, wenn das System nicht in Gebrauch ist.

Falls Sie sich bezüglich einer Reststromaufnahme unsicher sind, trennen Sie die Batterie durch Öffnen des Batterieschalters, Herausnehmen der Sicherung(en) oder Abtrennen des Batterie-Pluspols, wenn das System nicht in Gebrauch ist.

**Ein Entlade-Reststrom ist insbesondere dann gefährlich, wenn das System vollständig entladen wurde und es aufgrund einer niedrigen Zellspannung abgeschaltet wurde. Nach dem Abschalten aufgrund einer niedrigen Zellspannung verbleibt eine Reservekapazität von ungefähr 1 Ah pro 100 Ah Batteriekapazität in der Batterie. Die Batterie wird beschädigt, wenn die verbleibende Reservekapazität aus der Batterie entnommen wird. Ein Reststrom von 10 mA zum Beispiel kann eine 200 Ah Batterie beschädigen, wenn das System über 8 Tage lang im entladenen Zustand belassen wird.**

### 4.2 DC-Lasten mit ferngesteuerten Ein-/Aus-Anschlüssen

DC-Lasten müssen ausgeschaltet oder getrennt werden, wenn eine Zell-Unterspannung unmittelbar bevorsteht.

Der Lasttrennausgang des Smart BMS CL 12-100 kann für diesen Zweck verwendet werden.

Der Lasttrennschalter ist normalerweise hoch (gleich der Batteriespannung) und wird frei schwebend (= offener Stromkreis), wenn die Zelle unter Spannung steht

DC-Verbraucher mit einem Anschluss für ein ferngesteuertes Ein-/Ausschalten, der den Verbraucher anschaltet, wenn der Anschluss auf HIGH gesetzt wird (auf Batterie-Plus) und ihn ausschaltet, wenn der Anschluss potentialfrei gelassen wird, lassen sich direkt über den Ausgang "Charge Disconnect" steuern.

Im Anhang finden Sie eine Liste der Victron Produkte, die diese Eigenschaften haben.

Für DC-Lasten mit einer Fern-Ein-/Aus-Klemme, die die Last einschaltet, wenn die Klemme schwach (auf Batterie-Minus) gezogen wird, und ausschaltet, wenn die Klemme frei schwebend bleibt, kann das **invertierende Fern-Ein-Aus-Kabel** verwendet werden. Siehe Anhang

**Hinweis: Bitte prüfen Sie den Reststrom der Last im ausgeschalteten Zustand. Nach dem Abschalten aufgrund einer niedrigen Zellspannung verbleibt eine Reservekapazität von ungefähr 1 Ah pro 100 Ah Batteriekapazität in der Batterie. Ein Reststrom von 10 mA zum Beispiel kann eine 200 Ah Batterie beschädigen, wenn das System über 8 Tage lang im entladenen Zustand belassen wird.**

### 4.3 DC-Last: Trennen der Last mit einem BatteryProtect

Ein BatteryProtect schaltet den Verbraucher unter folgenden Voraussetzungen ab:

- Die Eingangsspannung (=Batteriespannung) unterschreitet einen voreingestellten Wert, oder
- der Anschluss zum ferngesteuerten Ein-/Aus-Schalten wird auf LOW gesetzt.

Das Smart BMS CL 12-100 kann zur Steuerung der Fern-Ein-/Ausschaltklemme eines BatteryProtect verwendet werden.

Anders als bei einem Cyrix oder einem Schütz kann die Funktion BatteryProtect einen Verbraucher mit einem großen Eingangskondensator wie einem Wechselrichter oder einem DC-DC-Konverter einschalten.

### 4.4 Aufladen der Batterie von LiFePO<sub>4</sub> mit einem zusätzlichen Batterieladegerät

Das Laden der Batterie muss reduziert oder angehalten werden, wenn eine Zell-Überspannung oder Über-Temperatur unmittelbar bevorsteht.

Der Lasttrennungsausgang des Smart BMS CL 12-100 kann für diesen Zweck verwendet werden.

Der Ausgang "Charge Disconnect" ist normalerweise HIGH (entspricht der Batterie-Spannung) und schaltet auf den Zustand "Offener Schaltkreis", falls es zu einer unmittelbar bevorstehenden Zell-Überspannung kommt.

Batterie-Ladegeräte mit einem Anschluss für ein ferngesteuertes Ein-/Ausschalten, der das Ladegerät aktiviert, wenn der Anschluss auf HIGH gesetzt wird (auf Batterie-Plus) und es ausschaltet, wenn der Anschluss potentialfrei gelassen wird, lassen sich direkt über den Ausgang "Charge Disconnect" steuern.

Im Anhang finden Sie eine Liste der Victron Produkte, die diese Eigenschaften haben.

Bei Batterieladegeräten mit einer Fernklemme, die das Ladegerät aktiviert, wenn die Klemme schwach (auf Batterie-Minus) gezogen wird, und deaktiviert, wenn die Klemme frei schwebend bleibt, kann das **invertierende Fern-Ein-Aus-Kabel** verwendet werden. Siehe Anhang

Alternativ kann eine **Cyrix-Li-Ladung** verwendet werden:

Der Cyrix-Li-Charge ist ein einachgerichteter Koppler, der zwischen ein Batterieladegerät und die LiFePO<sub>4</sub>-Batterie zwischengeschaltet werden kann. Er schaltet sich nur ein, wenn die Ladespannung vom Batterieladegerät an seinem ladeseitigen Anschluss anliegt. Eine Steuerklemme wird an die Ladetrennung des strombegrenzenden 12V Smart BMS angeschlossen.

### 4.5. Batterie

Bei mehreren Batterien in Parallel- bzw. Reihenschaltung sollten die beiden M8-Rundsteckverbinder-Steckersätze jeder Batterie in Reihe geschaltet werden (Verkettung). Verbinden Sie die beiden übrigen Kabel mit dem BMS.

## 5. System-Beispiele

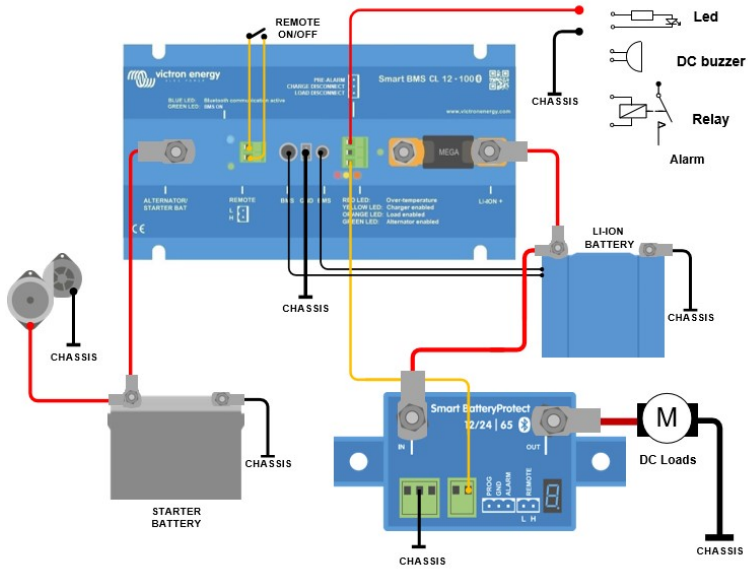


Abbildung 1: Anwendungsbeispiel für ein Fahrzeug bzw. ein Boot, mit einem Ein-/Aus-Schalter zwischen H und L.



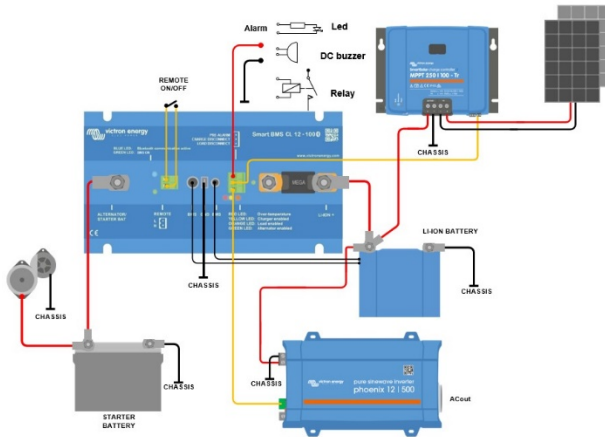


Abbildung 2: Anwendungsbeispiel mit einem MPPT und einem Phoenix-Wechselrichter

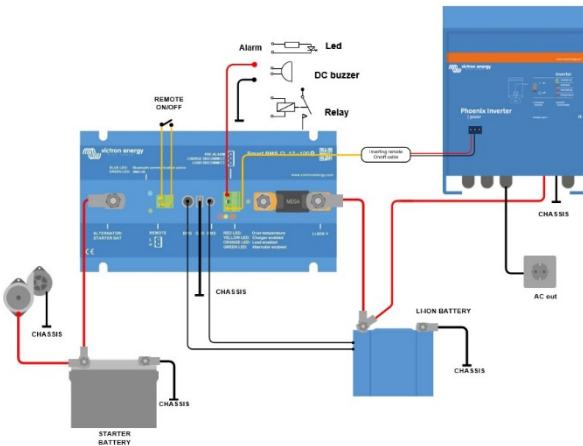


Abbildung 3: Anwendungsbeispiel mit einem Phoenix VE.Bus Wechselrichter mit einer Leistung von 3kVA und mehr

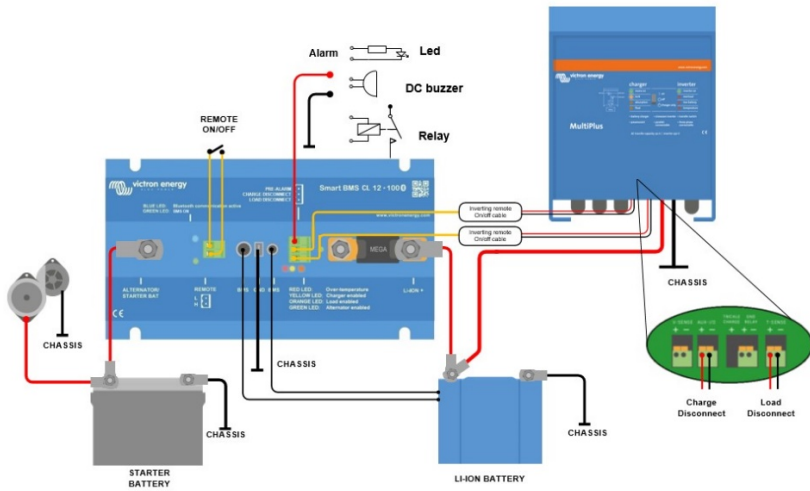


Abbildung 4: Anwendungsbeispiel mit einem 3kVA Multi eines neueren Typs, der über Hilfseingänge verfügt

## 6. Technische Daten

EN

NL

FR

DE

SE

<b>Smart BMS CL 12-200</b>	
Maximaler Dauerladestrom	100 A (mit 125A-Sicherung)
Eingangsspannung zum Starten des Ladens	> 13 V
Stromaufnahme, Fern-Ein	16 mA (ohne Lastausgang und Ladeausgangsstrom)
Stromaufnahme, Fern-Aus	5 mA (BMS-Funktionalität noch aktiv)
Lasttrennausgang	Normalerweise hoch (Vbat - 0,1V) Quellstrombegrenzung: 10 mA (kurzschlussfest) Senkstrom: 0A (Ausgang frei schwebend)
Ladetrennausgang	Normalerweise hoch (Vbat - 0,1V) Quellstrombegrenzung: 10 mA (kurzschlussfest) Senkstrom: 0A (Ausgang frei schwebend)
Voralarmausgang	Normalerweise frei schwebend Hoch (Vbat) im Alarmfall, max. 1A (nicht kurzschlussfest)
System ein/aus: Remote L und Remote H	Modi des Systems ein/aus verwenden: a. EIN, wenn die Klemmen L und H zusammengeschaltet sind b. EIN, wenn der Anschluss L auf den Minuspol der Batterie gezogen wird ( $V < 5V$ ) c. EIN, wenn die H Klemme hoch ist ( $V > 3V$ ) d. AUS in allen anderen Zuständen
<b>ALLGEMEINES</b>	
Betriebstemperaturbereich	-40°C bis +60°C
Luftfeuchtigkeit, maximal / durchschnittlich	100% / 95%
Schutz, Elektronik	IP65
Gleichstromanschluss	M8
Gleichstromanschluss Batterie minus	Faston-Buchse, 6,3 mm
<b>GEHÄUSE</b>	
Gewicht	1,6 kg
Abmessungen (HxBxT)	65 x 120 x 224 mm
<b>NORMEN</b>	
Emission	EN 61000-6-3, EN 55014-1
Störfestigkeit	EN 61000-6-2, EN 61000-6-1, EN 55014-2
Automobil-Richtlinie	ECE R10-5



## Anhang:

### 1. Verbraucher, die sich direkt über den Ausgang "Load Disconnect" (Last abtrennen) des BMS steuern lassen.

#### Wechselrichter:

Alle Phoenix Wechselrichter VE.Direct und Phoenix Wechselrichter Smart: Schließen Sie die LASTTRENNUNG an die **linke** Klemme (H) des 2-poligen Steckers an

#### DC/DC Konverter:

Alle DC-DC-Wandler vom Typ Tr mit Fern-Ein/Aus-Anschluss und Orion 12/24-20 Schließen Sie die LASTTRENNUNG an die **rechte** Klemme des 2-poligen Steckers an

#### BatteryProtect und SmartBatteryProtect

Schließen Sie die LASTTRENNUNG an Klemme 2.1 (rechte Klemme) für den Batterieschutz und den H-Stift für den Smart Battery Protet des 2-poligen Steckers an

#### Cyrix -Li-Verbraucher

Verbinden Sie die LASTTRENNUNG mit dem Steuereingang

### 2. Lasten, für die ein invertierendes Fern-Ein-Aus-Kabel benötigt wird (Artikelnummer ASS030550100 oder -120)

Alle Phoenix VE.Bus Wechselrichter und VE.Bus Wechselrichter Compact mit einer Leistung von 1200VA oder mehr.

### 3. Solar-Lade-Regler, die sich direkt über den Ausgang "Charge disconnect" steuern lassen

#### BlueSolar MPPT 150/70 und 150/80 CAN-bus

Schließen Sie die LADETRENNUNG an die **linke** Klemme des 2-poligen Steckers (B+) an

#### SmartSolar MPPT 150/45 und höher, 250/60 und höher

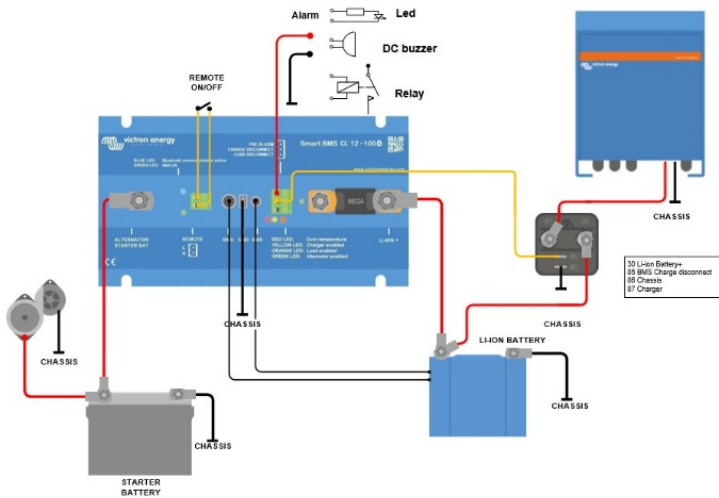
Schließen Sie die LADETRENNUNG an die **rechte** Klemme (mit + gekennzeichnet) oder an die **linke** Klemme (mit H gekennzeichnet) des 2-poligen Steckers an

### 4. Solar-Lade-Regler, für die ein nicht invertierendes VE Direct-Kabel zum ferngesteuerten Ein-/Ausschalten benötigt wird.

(Artikelnummer ASS030550320)

Alle BlueSolar MPPT-Modelle, außer den BlueSolar MPPT 150/70 und 150/80 CAN-Bus  
SmartSolar MPPT bis zu 150/35





## 5. Batterie-Ladegeräte

(Hinweis: Beim Anschluss des Ladegerätes an die Primärseite des BMS wird kein Ein-Aus-Kabel benötigt)

### Phoenix Smart IP43 Ladegeräte

Schließen Sie die LADETRENNUNG an die linke Klemme (H) des 2-poligen Steckers an

### Skylla TG-Batterieladegeräte

Verwenden Sie ein nicht invertierendes Fern-Ein-Aus-Kabel.  
(Artikelnummer ASS030550200)

### Skylla-i Batterie-Ladegeräte

Verwenden Sie ein Skylla-i-Fern-Ein/Aus-Kabel  
(Artikelnummer ASS030550400)

### Andere Batterie-Ladegeräte

Verwenden Sie eine Cyrix-Li-Ladung oder schließen Sie das Ladegerät an die Primärseite des BMS an.

## 6. MultiPlus-II

Diese MultiPlus-II-Modelle können über die Lasttrennungs- und Ladetrennungsausgänge gesteuert werden, indem das BMS CL 12-200-zu-MultiPlus-Kabel (Artikelnummer ASS070200100) verwendet wird. Dieses Kabel muss mit dem Fern-Ein/Aus-Anschluss des MultiPlus-II verdrahtet werden (den schwarzen Draht an den unteren (-) Anschluss und den roten Draht an den oberen (+) Fern-Ein/Aus-Anschluss anschließen). Sowohl die Lasttrennungs- als auch die Ladetrennungsausgänge des BMS müssen sich im Zustand 'Hoch' befinden, damit das MultiPlus-II arbeiten kann. Nach der Abschaltung wegen niedriger Batteriespannung die Lichtmaschine laufen lassen oder ein Batterieladegerät auf der Primärseite des BMS verwenden, um das System zurückzusetzen. Der MultiPlus-II schaltet sich dann ein und beginnt den Ladevorgang (falls an eine Wechselstromquelle angeschlossen).

## 7. MultiPlus

### MultiPlus 3kVA oder mehr

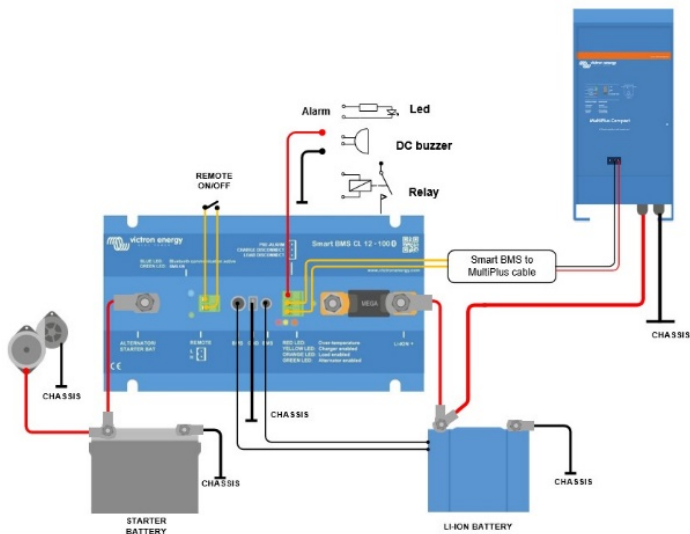
Weitere Informationen über die Konfiguration des MultiPlus für die Arbeit mit dem Smart BMS CL 12-100 finden Sie in dem Dokument auf unserer Website: <https://www.victronenergy.com/upload/documents/Manual-Connecting-other-lithium-battery-systems-to-Multis-and-Quattros-EN.pdf>

Die Lasttrennungs- und Ladetrennungsausgänge werden mit zwei invertierenden Fern-Ein-Aus-Kabeln (Artikelnummer ASS030550100) an den MultiPlus angeschlossen, wie in Abbildung 4 oben gezeigt.

### MultiPlus 500VA – 1600VA & MultiPlus Compact 800VA – 2kVA

Diese MultiPlus-Modelle können über die Lasttrennungs- und Ladetrennungsausgänge gesteuert werden, indem das BMS CL 12-200-zu-MultiPlus-Kabel (Artikelnummer ASS070200100) verwendet wird. Dieses Kabel muss mit dem Fern-Ein/Aus-Anschluss des MultiPlus verdrahtet werden (den schwarzen Draht an die EIN-Klemme und den roten Draht an die (+)-Klemme anschließen).

Sowohl der Lasttrennungs- als auch der Ladetrennungsausgang des BMS müssen sich im Zustand 'Hoch' befinden, damit der MultiPlus funktionieren kann. Nach der Abschaltung wegen niedriger Batteriespannung die Lichtmaschine laufen lassen oder ein Batterieladegerät auf der Primärseite des BMS verwenden, um das System zurückzusetzen. Der MultiPlus schaltet sich dann ein und beginnt den Ladevorgang (wenn er an eine AC-Stromquelle angeschlossen ist).







# 1. Allmän beskrivning

## En smart BMS med laddningsströmsbegränsning som skyddar generatoren mot överbelastning

Smart BMS CL är tänkt att användas med Victron Smart LifePo4-batterier med cirkulära M8-kontakter. Den stöder upp till 5 batterier parallellkopplade (BTV seriekopplas (daisy-chain) bara.

### Skydd av startbatteri

Denna funktion liknar den hos ett Cyrix batteri-kombinerare eller Argo FET batteriisolator. Ström kan enbart flyta till LFP-batteriet om ingångsspänningen (=spänningen på startbatteriet) överstiger 13 V.

Ström kan inte flyta tillbaka från LFP-batteriet till startbatteriet, vilket förhindrar eventuell skada på LFP-batteriet orsakad av allt för stor urladdning.

### Skydd av generator och batteri

Ingångsströmmen är elektroniskt begränsad till ungefär 80% av säkringskapaciteten. En säkring på 100 A kommer därför att begränsa ingångsströmmen till ca 80A. (För säkringskapaciteter och tillkommande strömbegränsning se tabell 1)

Val av rätt säkring:

Skyddar LFP-batteriet mot för hög laddningsström (viktigt om det rör sig om ett LFP-batteri med låg kapacitet).

Skyddar generatoren mot överbelastning om det är en LFP-batteribank med hög kapacitet (de flesta 12 V generatorer kommer att överhettas och sluta fungera vid max. utgångseffekt under mer än 5 minuter).

### Skydd av litiumjonbatteri

För hög ingångsspänning och transienter regleras ner till en säker nivå. BMS slutar att ladda i händelse av cellöverspänning eller övertemperatur.

Den har tre utgångar, liknande miniBMS:

#### Utgång för belastningsfrånkoppling

Belastningsutgången är normalt hög och flyter fritt i händelse av nära förestående cellunderspänning (standard 2,8 V/cell, kan justeras på batteriet mellan 2,6 V och 2,8 V per cell). Maximal ström: 10 mA. Belastningsutgången kan användas för att på avstånd kontrollera av/på-ingången på ett BatteryProtect, växelriktare eller DC-DC-omvandlare eller andra belastningar.

#### Förlarmsutgång

Förlarmsutgången kan användas som en varning när batterispänningen är låg och larmet kommer att utlösas kort innan utgången för belastningsfrånkoppling inaktiveras av på grund av cellunderspänning.

Förlarmsutgången kan användas för att driva ett relä, en LED eller en summer. Den kan ställas in som en kontinuerlig eller intermittent signal.

Utgången till förlarmet flyter vanligtvis fritt och ökar i händelse av nära förestående cellunderspänning (standard 3,1 V/cell, kan justeras på batteriet mellan 2,85 V och 3,15 V per cell). Maximal ström: 1 A (ej kortslutningsskyddad)

Den kortaste fördröjningen mellan förlarm och belastningsfrånkoppling är 30 sekunder.

#### Utgång för laddningsfrånkoppling

Utgången för laddningsfrånkoppling är oftast hög och flyter fritt om det finns en förestående risk för cellöverspänning eller övertemperatur. Maximal ström: 10 mA. Laddningsutgången är inte lämplig för att strömförsörja induktiva belastningar som en reläspole. Laddningsutgången kan användas för att kontrollera: Fjärrstyrd av/på för en laddare, ett Cyrix-Li-laddningsrelä, en Cyrix-Li-ct-batterikombinerare

(Obs: i vissa fall krävs en gränssnittskabel, se manualen)

En icke-växlande eller växlande av/på kabel kan krävas, vänligen se bilagan

#### **Fjärrstyrd av/på-ingång**

Den fjärrstyrda av/på-ingången kontrollerar laddningen via generatoren, medan BSM-funktionen fortsätter att vara aktiv oavsett status på den fjärrstyrda av/på-ingången.

Den fjärrstyrda av/på-ingången kan även användas som en av/på-brytare för systemet. Kan konfigureras via VictronConnect.

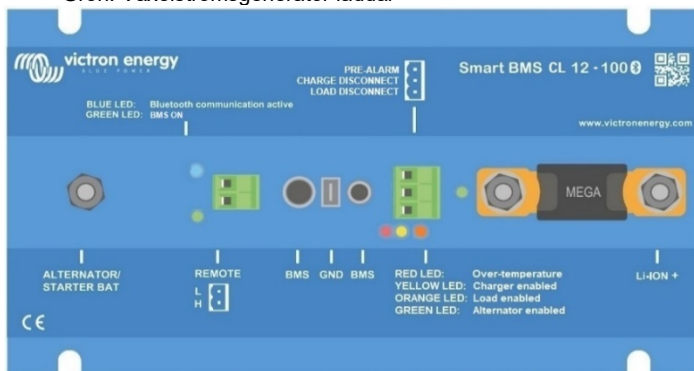
Systemets av/på består av två terminaler: Fjärr L och Fjärr H.

Det är möjligt att koppla en av/på-brytare eller ett relä mellan L och H.

Alternativt kan terminal H växlas till batteriets pluspol, eller terminal L kan växlas till batteriets minus.

#### **Led-lampor (från vänster till höger)**

- Grön: Smart BMS CL 12 V/100 A är aktiv
- Blå: blinkar - Bluetooth-sändning, PÅ - ansluten
- Röd: Skydd mot övertemperatur av den strömbegränsande 12 V-Smart BMS
- Gul: Utgång för laddningsfrånkoppling är aktiverad
- Orange: Utgång för belastningsfrånkoppling är aktiverad
- Grön: Växelströmsgenerator laddar



## 2. Säkerhetsinstruktioner

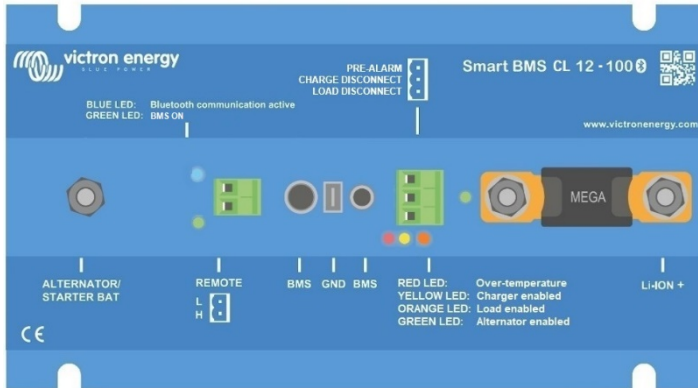
Installationen måste strikt följa de nationella säkerhetsföreskrifterna i enlighet med kapsling, installation, kryp- och luftavstånd, olycksfall, märkningar och segregationskrav i slutanvändningsprogrammet. Installationen får endast utföras av kvalificerade och utbildade installatörer. Stäng av systemet och kontrollera om det förekommer farlig spänning innan någon koppling ändras.

21. Öppna inte litiumjonbatteriet.
22. Ladda inte ur ett nytt litiumjonbatteri innan det har laddats upp fullt en gång först.
23. Ladda endast inom fastställda gränser.
24. Montera inte litiumjonbatteriet upp och ned.
25. Kontrollera om litiumjonbatteriet har skadats under transporten.

## 3. Installationsinstruktioner

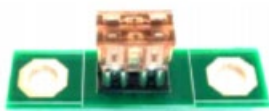
33. Montera helst BMS:en på en vertikal yta, för bäst nedkylning.
34. Fastställ vilken säkringskapacitet (se bild och tabell) Säkringen agerar även som en shunt och BMS CL kommer att begränsa ingångsströmmen i enlighet med säkringens kapacitet. För säkringar och tillkommande strömbegränsning se tabell 1  
Val av rätt säkring förhindrar att generatorm och/eller DC-kablarna överhettas.
35. Koppla bort kablarna från startbatteriets minuspol.
36. Dra bort anslutningsdonet för FJÄRRSTYRD av/på för att undvika oönskad växling på BMS:en.
37. Installera och koppla säkringen och alla elektriska kablar, låt minuspolerna på litiumjonbatterierna och startbatteriet vara urkopplade. **Säkerställ att M8-muttrarna på säkringen är ordentligt åtdragna.**
38. Seriekoppla batterikontrollkablarna mellan litiumjonbatterierna och anslut till BMS.
39. Koppla GND-kablarna till minuspolen på litiumjonbatterierna och startbatteriet.
40. Sätt åter igen in anslutningsdonet för FJÄRRSTYRD av/på på BMS.

BMS är nu klar att användas.



**Tabell 5: laddningsström per säkringskapacitet**

Säkringskapacitet	Maximal laddningsström
125 A	100 A
100 A	90 A
80 A	60 A
60 A	50 A
2 x 30 A	40 A
2 x 20 A	25 A
2 x 15 A	20 A
2 x 10 A	12 A
2 x 7,5 A	9 A



If the required charge current (input AB) is less than 40 A, please use this ATO fuse holder

## 4. Saker att ha i åtanke

### 4.1 Viktig varning

Litiumjonbatterier är dyrbara och kan förstöras på grund av för hög urladdning eller överladdning.

Skador på grund av urladdning kan inträffa om mindre belastningar (som: larmsystem, reläer, standby ström för vissa belastningar, backström från batteriladdare eller laddningsregulatorer) långsamt laddar ur batteriet när systemet inte används.

Vid tveksamhet om eventuell restförbrukning av ström, isolera batteriet genom att öppna batteribrytaren, dra ut batterisäkring/säkringarna eller koppla bort batteriets positiva kabel när systemet inte används.

**En restförbrukning är särskilt farlig om systemet har varit helt urladdat och en avstängning på grund av låg cellspänning har ägt rum. Efter avstängning på grund av låg cellspänning, finns en kapacitetsreserv på ca 1 Ah per 100 Ah batterikapacitet kvar i batteriet. Batteriet kommer att skadas om den återstående kapacitetsreserven dras ur batteriet. En restström på exempelvis 10 mA kan skada ett 200 Ah-batteri om systemet lämnas i urladdat skick under längre tid än 8 dagar.**

### 4.2 DC-belastningar med fjärrstyrda av/på-terminaler

DC-belastningar måste stängas av eller kopplas bort i händelse av en nära förestående cellunderspänning.

Utgången för belastningsfrånkoppling på Smart BMS CL 12-100 kan användas i detta avseende.

Belastningsfrånkopplingen är vanligtvis hög (lika med batterispänningen) och den ändras till fritt flytande (öppet krets-läge) i händelse av en nära förestående cellunderspänning.

DC-belastningar med en fjärrstyrd av-och-på terminal som aktiverar belastningen när terminalen dras upp (till batteriplus) och som stängs av när terminalen lämnas att flyta fritt, kan kontrolleras direkt från utgången för laddningsfrånkoppling.

Se bilagan för en lista över Victron-produkter med den här funktionen.

För DC-belastningar med en fjärrstyrd av-och-på-terminal som aktiverar belastningen när terminalen dras ned (till batteriminus) och som stängs av när terminalen flyter fritt, kan den **inverterande av/på-fjärrkabeln** användas. Se bilaga.

**Obs: kontrollera restströmmen på belastningen när den är i avstängt läge. Efter avstängning på grund av låg cellspänning, finns en kapacitetsreserv på ca 1 Ah per 100 AH batterikapacitet kvar i ett litiumjonbatteri. En restström på exempelvis 10 mA kan skada ett 200 Ah-batteri om systemet lämnas i urladdat skick under längre tid än 8 dagar.**

### 4.3 DC-belastningar: frånkoppling av belastning med en BatteryProtect

En BatteryProtect kopplar bort belastningen när:

- Ingångsspänningen (= batterispänning) har sjunkit under ett förinställt värde, eller när
- den fjärrstyrda av-på-terminalen har dragits ned.

Smart BMS CL 12-100 kan användas för att kontrollera den fjärrstyrda av-på-terminalen på en BatteryProtect.

Till skillnad mot en Cyrix eller ett kontaktdon kan en BatteryProtect starta en belastning med en stor ingångskondensator som en växelriktare eller en DC-DC-omvandlare.

### 4.4 Ladda LiFePO<sub>4</sub>-batteri med en extra batteriladdare

Batteriladdningen måste minskas eller stoppas i händelse av en nära förestående cellöverspänning eller övertemperatur.

Laddningsfrånkopplingen på Smart BMS CL 12-100 kan användas i detta avseende.

Laddningsfrånkopplingen är vanligtvis hög (lika med batterispänningen) och den ändras till öppet kretsäge i händelse av en nära förestående cellöverspänning.

Batteriladdare med en fjärrstyrd av-och-på terminal som aktiverar laddaren när terminalen dras upp (till batteriplus) och som stängs av när terminalen lämnas att flyta fritt, kan kontrolleras direkt från utgången för laddningsfrånkoppling.

Se bilagan för en lista över Victron-produkter med den här funktionen.

Batteriladdare med en fjärrstyrd av-och-på terminal som aktiverar laddaren när terminalen dras ned (till batteriminus) och som stängs av när terminalen lämnas att flyta fritt, kan den **inverterande av/på-fjärrkabeln** användas. Se bilaga.

Alternativt kan en **Cyrix-Li-Charge** användas:

Cyrix-Li-Charge är en envägskombinerare som förs in mellan en batteriladdare och LiFePO<sub>4</sub>-batteri. Det aktiveras endast när det förekommer laddningsspänning från en batteriladdare på terminalen på laddsidan. En styrterminal kopplas till laddningsfrånkopplingen på den strömbegränsande 12 V-Smart BMS.

### 4.5 Batteri

Om flera batterier kopplas parallellt och/eller seriekonfigureras, ska de två seten med runda M8-anslutningsladdar på varje batteri kopplas i serie (daisy chained). Koppla de kvarvarande två sladdarna till BMS.



## 5. Systemexempel

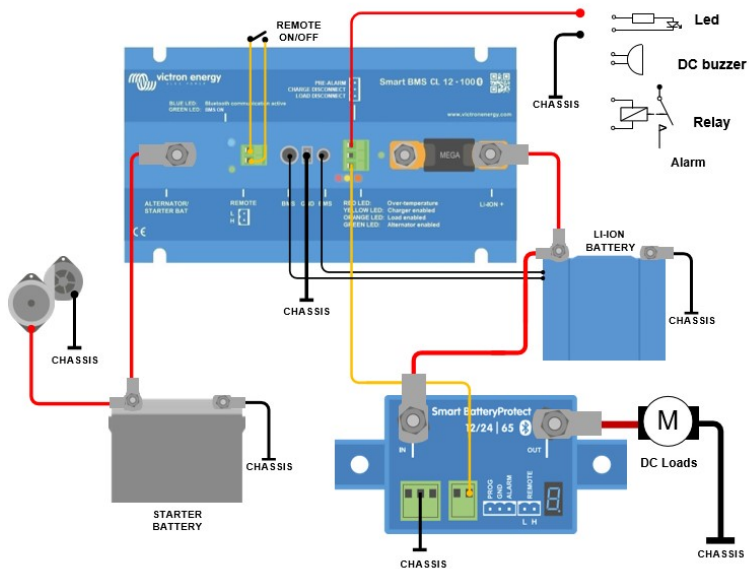


Bild 1: Användningsexempel för ett fordon eller en båt, med av/på-brytare mellan H och L.

EN

NL

FR

DE

SE

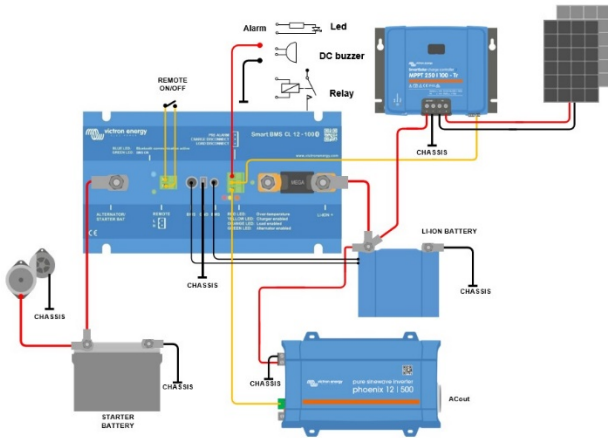


Bild 2: Användningsexempel med en MPPT eller en Phoenix-växleriktare

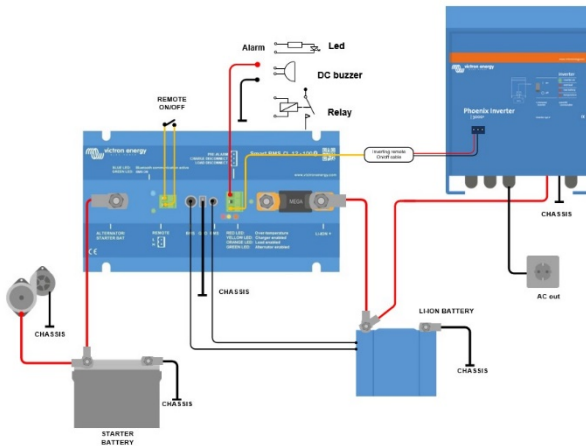


Bild 3: Användningsexempel med en Phoenix VE.Bus-växleriktare med en kapacitet på 3 kVA eller mer



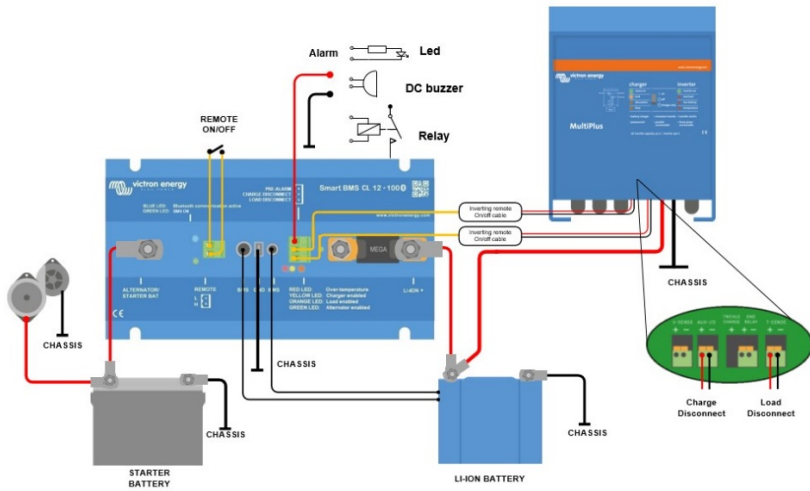


Bild 4: Användningsexempel med en 3 kVA-Multi av nyare slag som har hjälpingångar

## 6. Specifikationer

Smart BMS CL 12-200	
Maximal kontinuerlig laddningsström	100 A (med 125 A-säkring)
Ingångsspänning för att starta laddning	> 13 V
Strömförbrukning, fjärrstyrning på	16 mA (exklusive ström för belastningsutgång och laddningsutgång)
Strömförbrukning, fjärrstyrning av	5 mA (BMS-funktionen fortfarande aktiv)
Utgång för belastningsfrånkoppling	Normalhög (Vbat - 0,1 V) Källströmsbegränsning: 10 mA (kortslutningsskyddad) Sänkström: 0 A (utgång fritt flytande)
Utgång för laddningsfrånkoppling	Normalhög (Vbat - 0,1 V) Källströmsbegränsning: 10 mA (kortslutningsskyddad) Sänkström: 0 A (utgång fritt flytande)
Förlarmsutgång	Flyter vanligtvis fritt Hög (Vbat) vid larm, max 1 A (ej kortslutningsskyddad)
System av/på Fjärr L och Fjärr H	Använder lägen för systemets av/påslagning: a. PÅ när terminalerna L och H är sammankopplade b. PÅ när terminalen L är dragen till batteriets minuspol (V < 5V) c. PÅ när terminalen H är hög (V > 3 V) d. AV under alla andra omständigheter
ALLMÄNT	
Driftstemperaturintervall	-40 °C till +60 °C
Fuktighet, maximal/ genomsnittlig	100 %/ 95 %
Skyddsklass, elektronik	IP65
DC-strömanslutningar	M8
DC-anslutningsdon batteriminus	Faston hona, 6,3 mm
HÖLJE	
Vikt	1,6 kg
Dimensioner (h x b x d)	65 x 120 x 224 mm
STANDARDER	
Emission	EN 61000-6-3, EN 55014-1
Immunitet	EN 61000-6-2, EN 61000-6-1, EN 55014-2
Motorfordonsdirektiv	ECE R10-5



## Bilaga:

### 1. Belastningar som kan kontrolleras direkt med BMS utgång för belastningsfrånkoppling.

#### Växelriktare:

Alla Phoenix-växelriktare VE.Direct och Phoenix-växelriktare Smart:  
Koppla BELASTNINGSFÅRÅNKOPPLINGEN till den **vänstra** terminalen (H) på det tvåpoliga anslutningsdonet.

#### DC-DC-omvandlare:

Alla Tr-sorters DC-DC-omvandlare med fjärrstyrd av/på-anslutning och Orion 12/24-20  
Anslut BELASTNINGSFÅRÅNKOPPLINGEN på den **högra** terminalen på det tvåpoliga anslutningsdonet.

#### Battery Protect och Smart Battery Protect

Anslut BELASTNINGSFÅRÅNKOPPLINGEN till terminal 2.1 (höger terminal) för BatteryProtect och H-stiftet för Smart Battery Protect på det tvåpoliga anslutningsdonet.

#### Cyrix -Li-Load

Anslut BELASTNINGSFÅRÅNKOPPLINGEN till styrgången.

### 2. Belastningar för vilka en inverterande av/på-fjärrkabel krävs (artikelnummer ASS030550100 eller -120)

Alla Phoenix VE-Bus-växelriktare och VE.Bus Inverter Compact med en kapacitet på 1 200 VA eller mer.

### 3. Solcellsladdningsregulatorer som kan styras direkt med utgången för laddningsfrånkoppling

#### BlueSolar MPPT 150/70 och 150/80 CAN-bus

Anslut LADDNINGSFÅRÅNKOPPLINGEN till den **vänstra** terminalen på det tvåpoliga anslutningsdonet (B+)

#### SmartSolar MPPT 150/45 och högre, 250/60 och högre

Anslut LADDNINGSFÅRÅNKOPPLINGEN till den **högra** terminalen (markerad med +) eller den **vänstra** terminalen (markerad med H) på det tvåpoliga anslutningsdonet.

### 4. Solcellsladdningsregulatorer för vilka en icke-inverterande av/på-fjärrkabel krävs

(artikelnummer ASS030550320)

Alla BlueSolar MPPT-modeller, förutom BlueSolar MPPT 150/70 och 150/80 CAN-bus

SmartSolar MPPT upp till 150/35



## 6. MultiPlus-II

MultiPlus-modellerna kan styras från utgångarna för belastningsfrånkoppling och laddningsfrånkoppling genom att använda BMS CL 12-200-till-MultiPlus-kabeln (artikelnummer ASS070200100). Den här kabeln måste dras till MultiPlus anslutningsdon för fjärrstyrd av/på (koppla den svarta kabeln till den lägre (-) terminalen och den röda kabeln till den övre (+) terminalen för fjärrstyrd av/på-funktion. Både utgången för belastningsfrånkoppling och laddningsfrånkoppling på BMS måste vara i "Högt" läge för att MultiPlus-II ska fungera. Efter en avstängning på grund av låg batterispänning ska du köra växelströmgenerator eller använda en batteriladdare på den primära sidan av BMS för att återställa systemet. MultiPlus-II aktiveras då och börjar ladda (om den är ansluten till en AC-strömkälla).

EN

NL

FR

DE

SE



## 7. MultiPlus

### MultiPlus 3 kVA eller mer

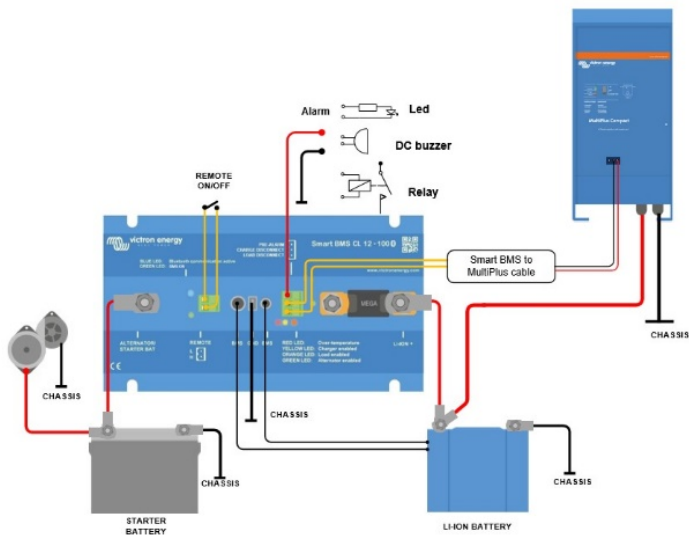
Läs dokumenten på vår hemsida för mer information om hur du ska konfigurera MultiPlus att fungera med Smart BMS CL 12-100:

<https://www.victronenergy.com/upload/documents/Manual-Connecting-other-lithium-battery-systems-to-Multis-and-Quattros-EN.pdf>

Utgångarna för belastningsfrånkoppling och laddningsfrånkoppling ska dras till MultiPlus med två inverterande av/på-fjärrkablar (artikelnummer ASS030550100) så som visas i bild 4 ovan.

### MultiPlus 500 VA – 1600 VA och MultiPlus Compact 800 VA – 2 kVA

Dessa MultiPlus-modeller kan styras från utgångarna för belastningsfrånkoppling och laddningsfrånkoppling genom att använda BMS CL 12-200-till-MultiPlus-kabeln (artikelnummer ASS070200100). Kabeln måste dras till MultiPlus anslutningsdörr för fjärrstyrd av/på-funktion (koppla den svarta kabeln till PA-terminalen och den röda kabeln till (+) terminalen). Både utgången för belastningsfrånkoppling och för laddningsfrånkoppling på BMS måste vara i "Högt" läge för att MultiPlus-II ska fungera. Efter en avstängning på grund av låg batterispänning ska du köra växelströmgeneratorn eller använda en batteriladdare på den primära sidan av BMS för att återställa systemet. MultiPlus aktiveras då och börjar ladda (om den är ansluten till en AC-strömkälla)



# Victron Energy Blue Power

Distributor:

Serial number:

Version: 03

Date: 17 February 2020

Victron Energy B.V.

De Paal 35 | 1351 JG Almere

PO Box 50016 | 1305 AA Almere | The Netherlands

General phone : +31 (0)36 535 97 00  
E-mail : [sales@victronenergy.com](mailto:sales@victronenergy.com)

[www.victronenergy.com](http://www.victronenergy.com)



**victron energy**