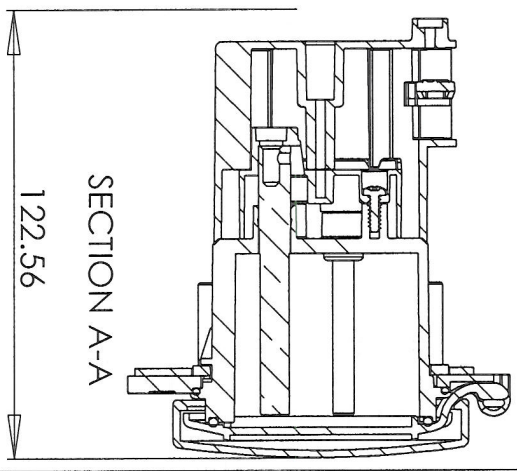
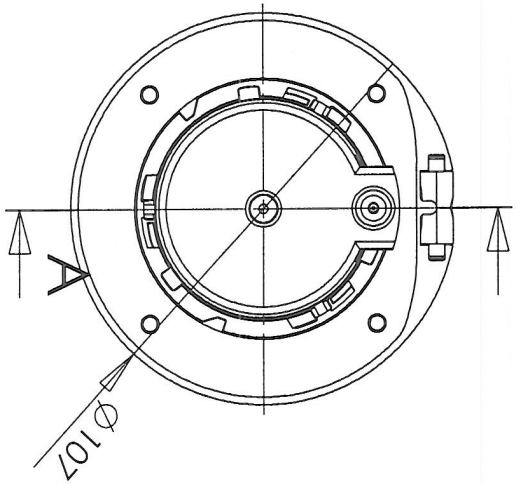
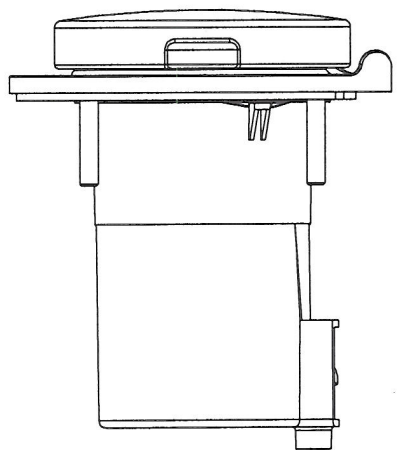
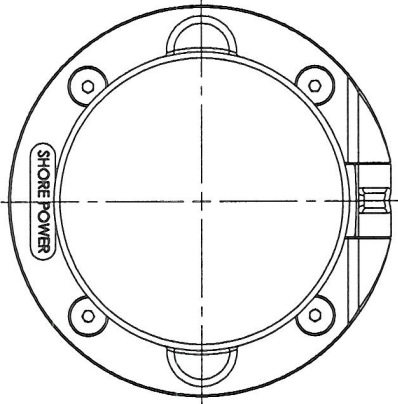
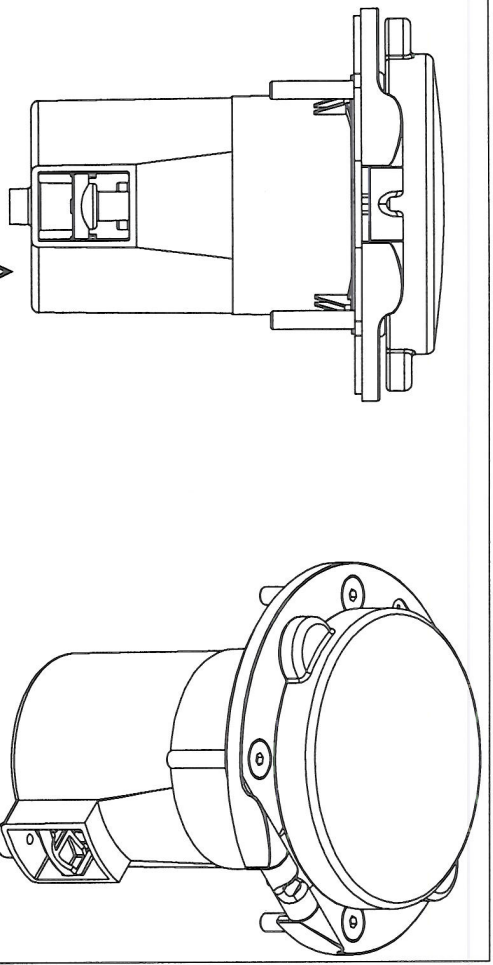


THE INFORMATION CONTAINED IN THIS DRAWING IS THE SOLE PROPERTY OF NOEST productdevelopment. ANY REPRODUCTION IN PART OR WHOLE WITHOUT THE WRITTEN PERMISSION OF NOEST productdevelopment IS PROHIBITED

PRODUCTION
(3d-file leading)



UNLESS OTHERWISE SPECIFIED
DIMENSIONS ARE IN MM
TOLERANCES ARE ACCORDING:
DIN 16901

CAD GENERATED DRAWING
DO NOT MANUALLY UPDATE

Ratio Ambachtsstraat 12 · 3861 RH Nijkerk
ELECTRIC tel.(039)2452360 · Fax.(039)2453154
www.ratio.nl

VOLUME:	APPROVALS	DATE
MATERIAL:	DRAWN	6/29/2007
FINISH:	CHECKED	--
DU NOT SCALE DRAWING	NOTES:	--

MP32-10(inlet-assembly)

CLIENT: --	SIZE: A4	SCALE 1:2
DWG. NO. MP32-10	REV.	